

W3289901-4, W3289902-4, W3289916-4, W3289949-4 - Center set faucet

Description

NYX SINGLE CONTROL

- 1.2 GPM
- Ceramic disc cartridge
- SS Flex hoses with 3/8" compression nuts
- Push style pop-up drain included
- Deck plate included

Standards

- Complies with IAPMO UPC/cUPC
- California AB100 Complaint
- ADA Accessibility Guidelines for Buildings and Facilities - 427.4 Controlled Mechanisms
- CALGreen compliant
- EPA WaterSense Certified by IAPMO R&T



W3289901-4

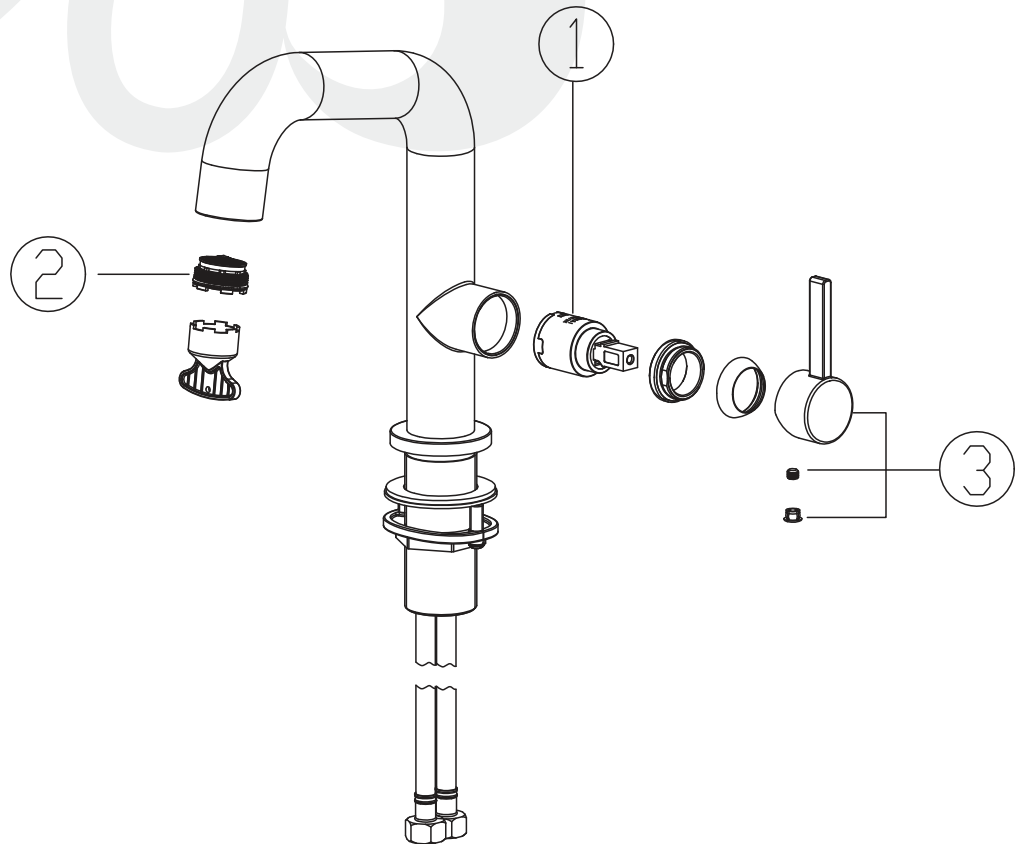


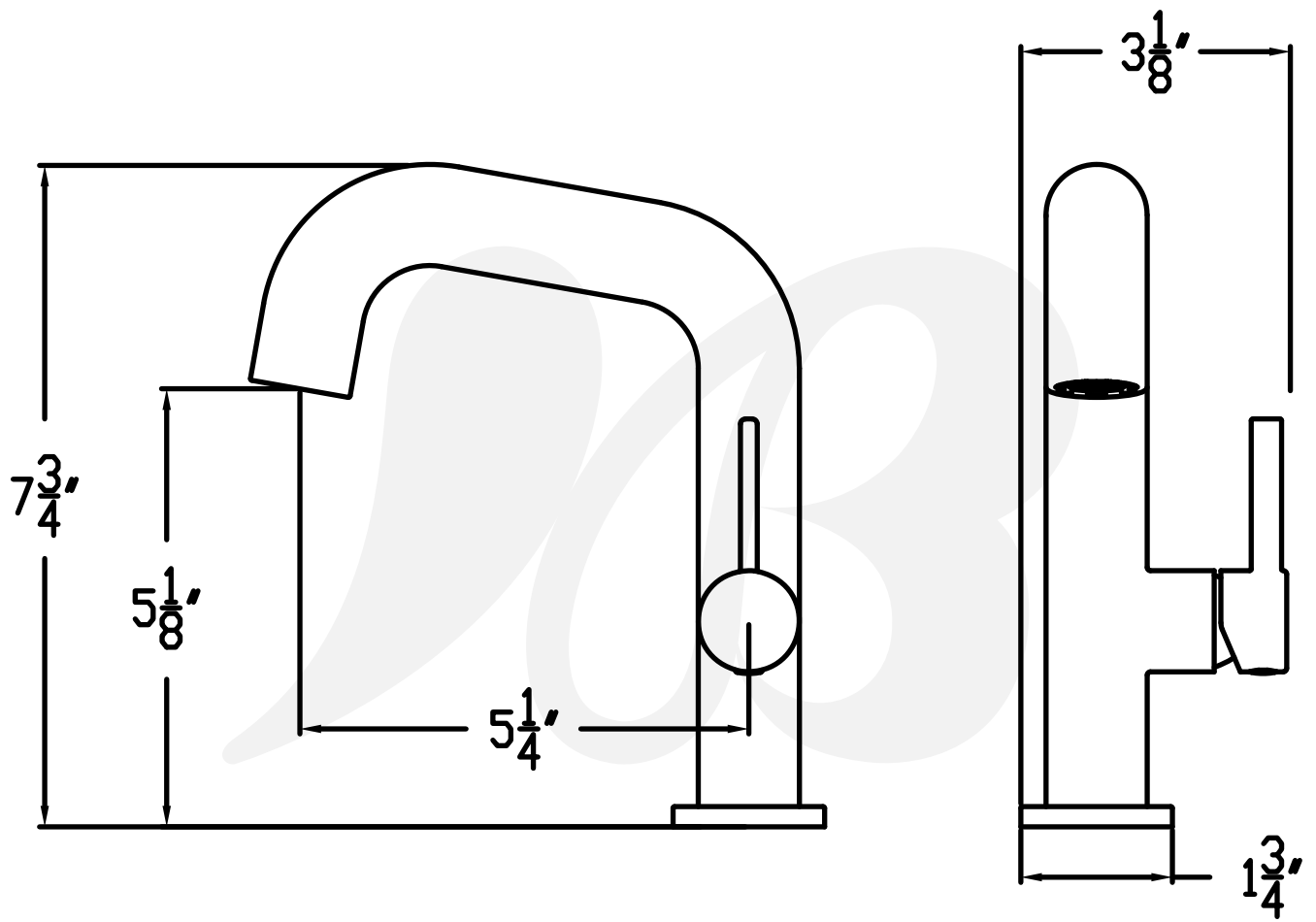
Colors / Finishes

- W3289901-4** Chrome
- W3289902-4** PVD Satin Nickel
- W3289916-4** PVD Satin Brass
- W3289949-4** Matte Black

**BREAK DOWN
Component Parts List**

NO.	Description	Qty
1	CARTRIDGE	1
2	AERATOR	1
3	HANDLE ASSEMBLY	1





Item Number	Type	Date
W3289901-4, W3289902-4, W3289916-4, W3289949-4	Center Set	12-22-2025