

W3182701-1, W3182702-1, W3182716-1, W3182749-1 - Lavatory Faucet

Description

DAVENPORT SINGLE CONTROL

- Replaceable cartridge
- Brass pop-up drain included
- SS Flex hoses with 3/8" compression nuts
- Deck plate included



W3182701-1

Standards

- Complies with IAPMO UPC/cUPC
- California AB100 Complaint
- ADA Accessibility Guidelines for Buildings and Facilities - 427.4 Controlled Mechanisms
- CALGreen compliant
- EPA WaterSense Certified by IAPMO R&T



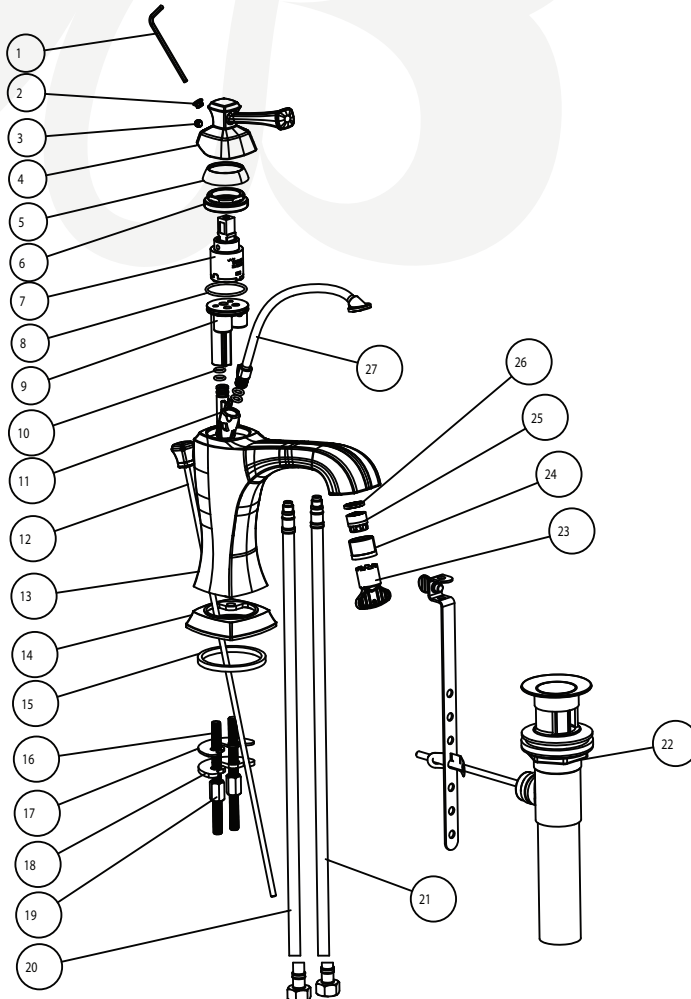
Colors / Finishes

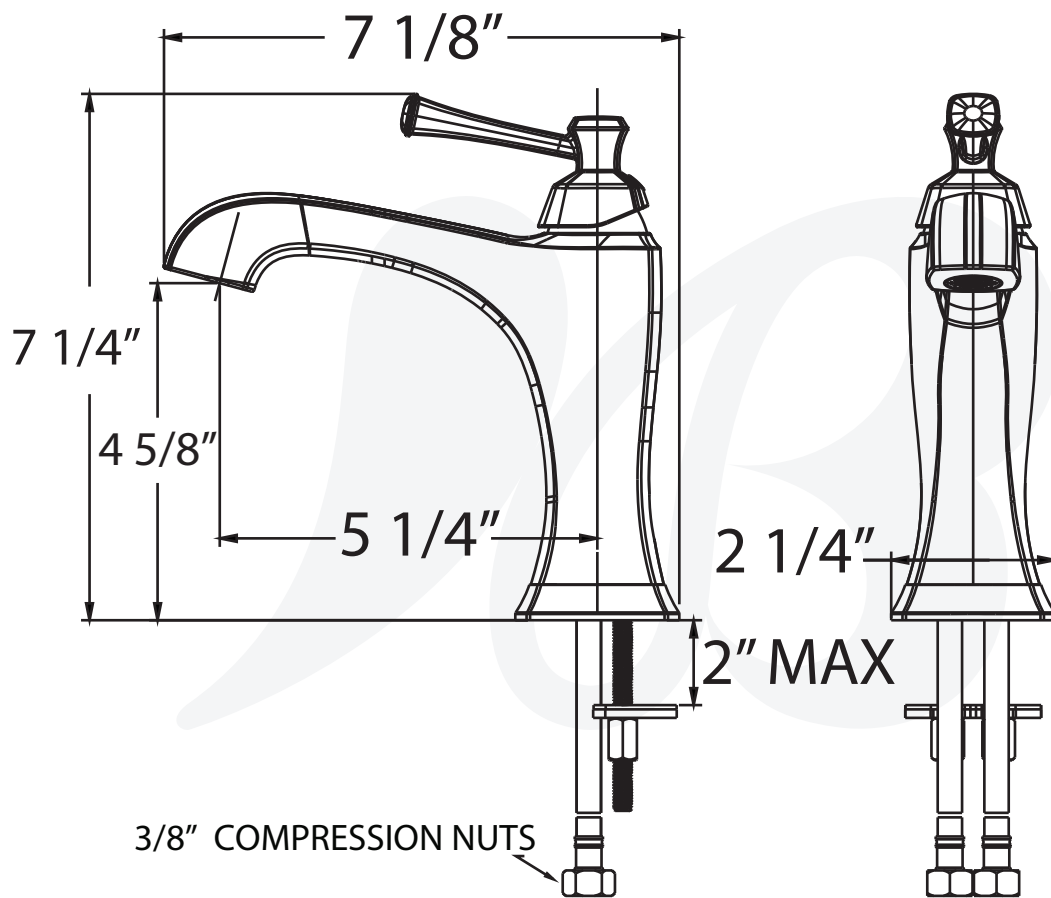
- W3182701-1 Chrome
- W3182702-1 PVD Satin Nickel
- W3182716-1 PVD Satin Brass
- W3182749-1 Matte Black

BREAK DOWN

Component Parts List

27	CTCP0670	1
26	CTWR0058	1
25	ATBX0101	1
24	CTCP0664	1
23	CTQP0050	1
22	ATAA0067	1
21	ATBP0622-1D	1
20	ATBP0622-1R	1
19	CTNB0321	2
18	CTWT0103	1
17	CTWR0028	1
16	CTST0013	2
15	CTWR0439	1
14	CTDZ0186	1
13	CTYZ0044	1
12	ATBM0094	1
11	CTCP0671	1
10	CTRR0004	4
9	ATBD0169	1
8	CTRR0051	1
7	ATBA0163	1
6	CTKB0197	1
5	CTCP0330	1
4	CTHZ0744	1
3	CTST0084	1
2	CTCP0072	1
1	CCQT0002	1
NO.	PART NO.	QTY





Item Number	Type	Date
W3182701-1, W3182702-1, W3182716-1, W3182749-1	Widespread Faucet	8-24-2021