

**W3123801-JB, W3123829-JB, W3123849-JB - Single Handle Lavatory Faucet**

**Description**

**BUILDER SINGLE CONTROL**

- Ceramic disc cartridge
- Braided hoses with 3/8" compression nuts
- 1.2 GPM
- Push style pop-up NOT included

**Standards**

- Complies with IAPMO UPC/cUPC
- California AB100 Complaint
- ADA Accessibility Guidelines for Buildings and Facilities - 427.4 Controlled Mechanisms
- CALGreen compliant
- EPA WaterSense Certified by IAPMO R&T



• W3123801-JB

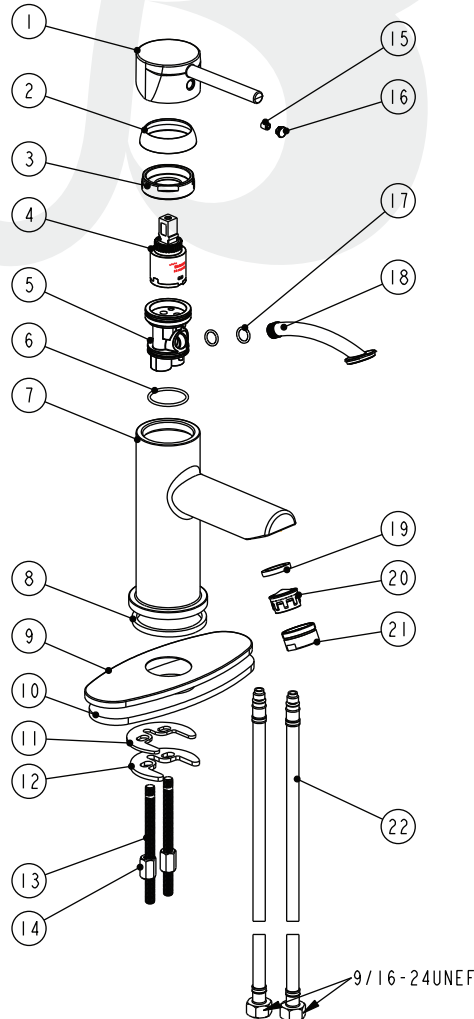


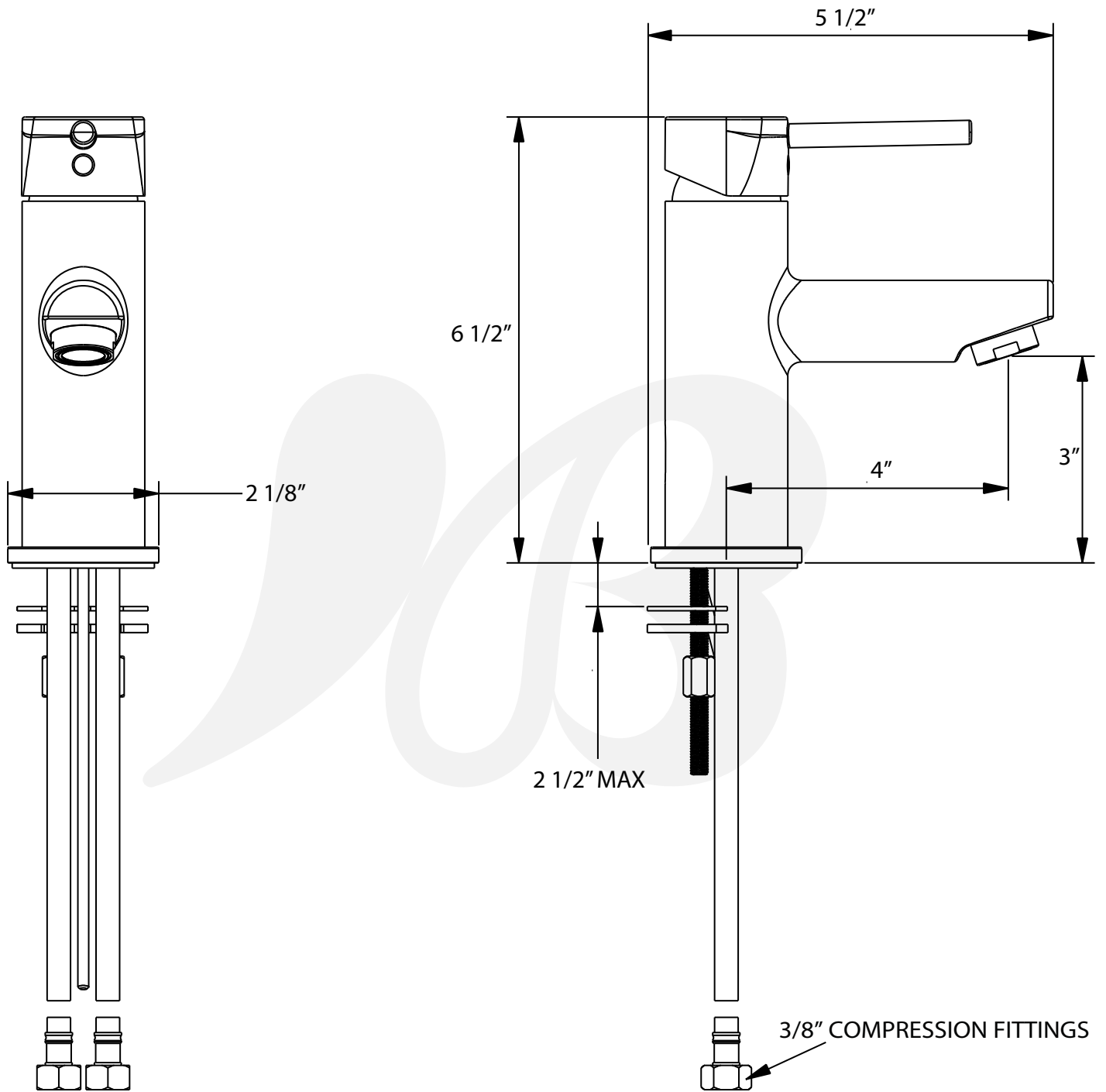
**Colors / Finishes**

- W3123801-JB Chrome
- W3123829-JB Satin Nickel
- W3123849-JB Matte Black

**BREAK DOWN  
Component Parts List**

22	ATBP0622	2
21	CTXB0053	1
20	ATBX0119	1
19	CTWR0254	1
18	CTPP0046	1
17	CTRR0213	2
16	CTCP0072	1
15	CTST0117	1
14	CTNB0321	2
13	CTST0013	2
12	CTKL0001	1
11	CTWR0199	1
10	CTWP0347	1
9	CTCT0166	1
8	CTWR0439	1
7	CTYZ0065	1
6	CTRR0274	1
5	ATBD0175	1
4	ATBA0163	1
3	CTKB0199	1
2	CTCP0576	1
1	CTHZ0281	1





Item Number	Type	Date
W3123801-JB, W3123829-JB, W3123849-JB	Single Hole Lavatory	3-12-2026