

S7889901, S7889902, S2889916, S7889949 - Free Standing Tub Filler

Description

NYX FREE STANDING FILLER

- Floor mounted roman tub filler
- With hand shower
- Ceramic disc cartridge
- Swiveling spout
- Pivoting hand shower holder
- 1.5 GPM Hand shower

Standards

- ASME A112.18.1 Compliant
- Listed IAPMO / UPC & CUPC
- ADA Accessibility Guidelines for Buildings and Facilities - 4.27.4 Controls and Mechanisms (lever handle only)
- CSA B125.1 Compliant



S7889901

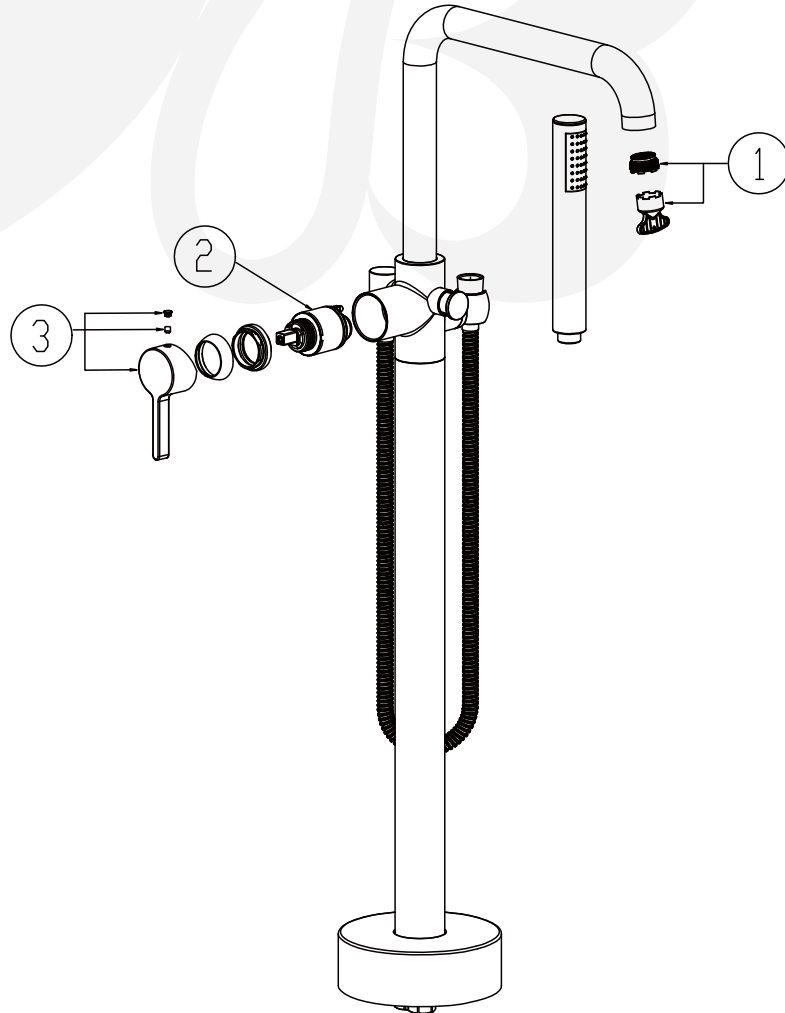


Colors / Finishes

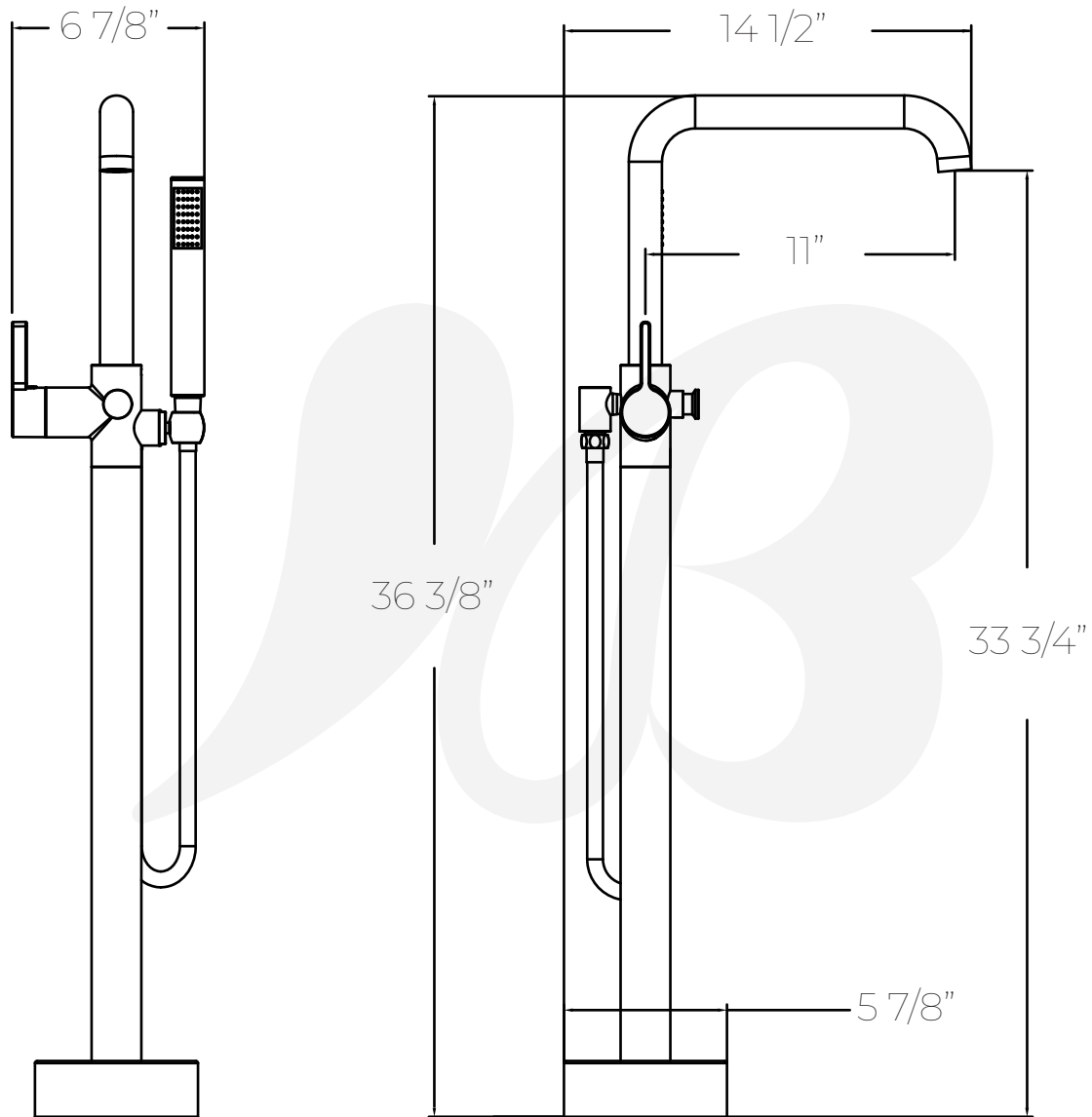
- S7889901** Chrome
- S7889902** PVD Satin Nickel
- S7889916** PVD Satin Brass
- S7889949** Matte Black

Component Parts List

NO.	Description	Qty
1	AERATOR ASSEMBLY	1
2	CARTRIDGE	1
3	HANDLE ASSEMBLY	1



SPECIFIED MODEL



Item Number	Type	Date
S7889901, S7889902, S7889916, S7889949	Tub Filler	12-22-2025