

**S7480201, S7480229, S7480249 - Roman Tub Filler With Handshower**

**Description**

- 4 Piece roman tub filler faucet
- With pull-out single setting hand shower
- 90° Turn ceramic disc cartridges
- 3/4" NPS connections
- 18 GPM @ 60 PSI

**Standards**

- Complies with IAPMO UPC/cUPC
- ADA Accessibility Guidelines for Buildings and Facilities - 4.27.4 Controls and Mechanisms



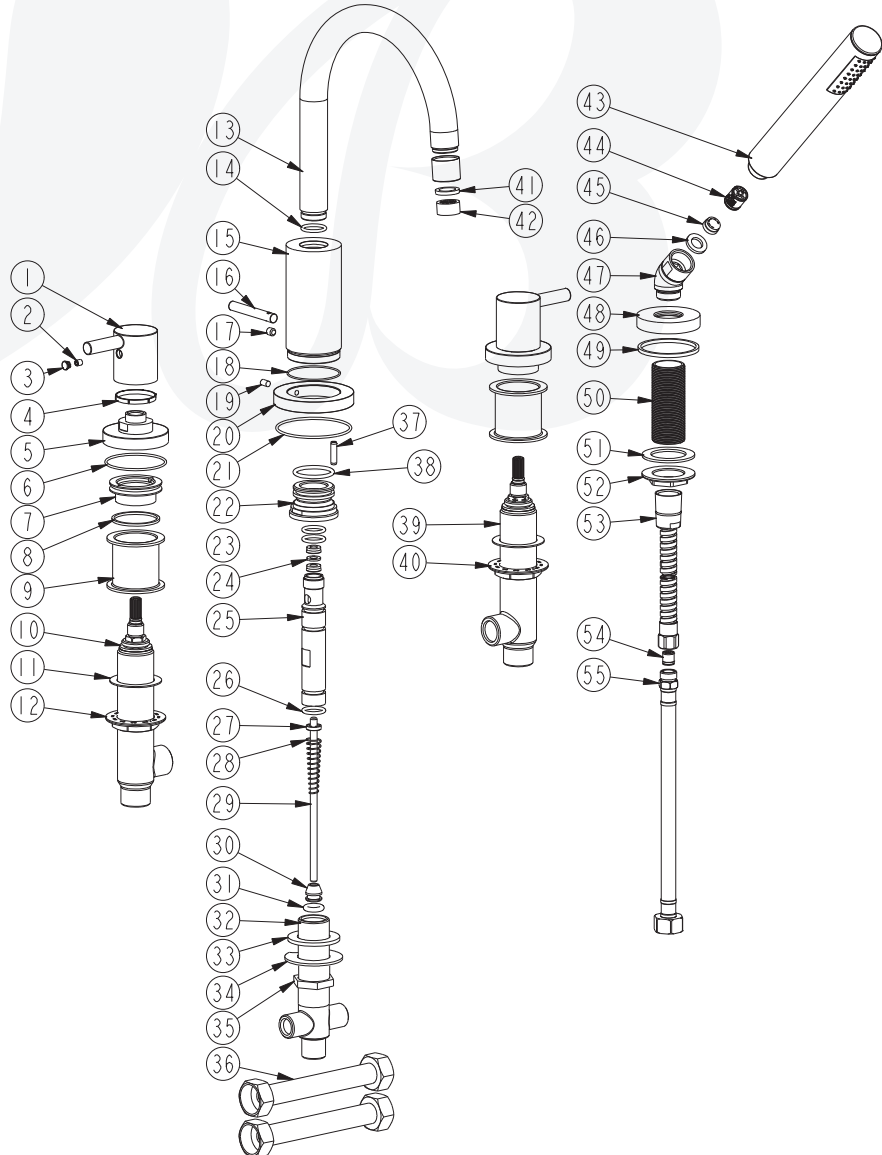
• S7480201

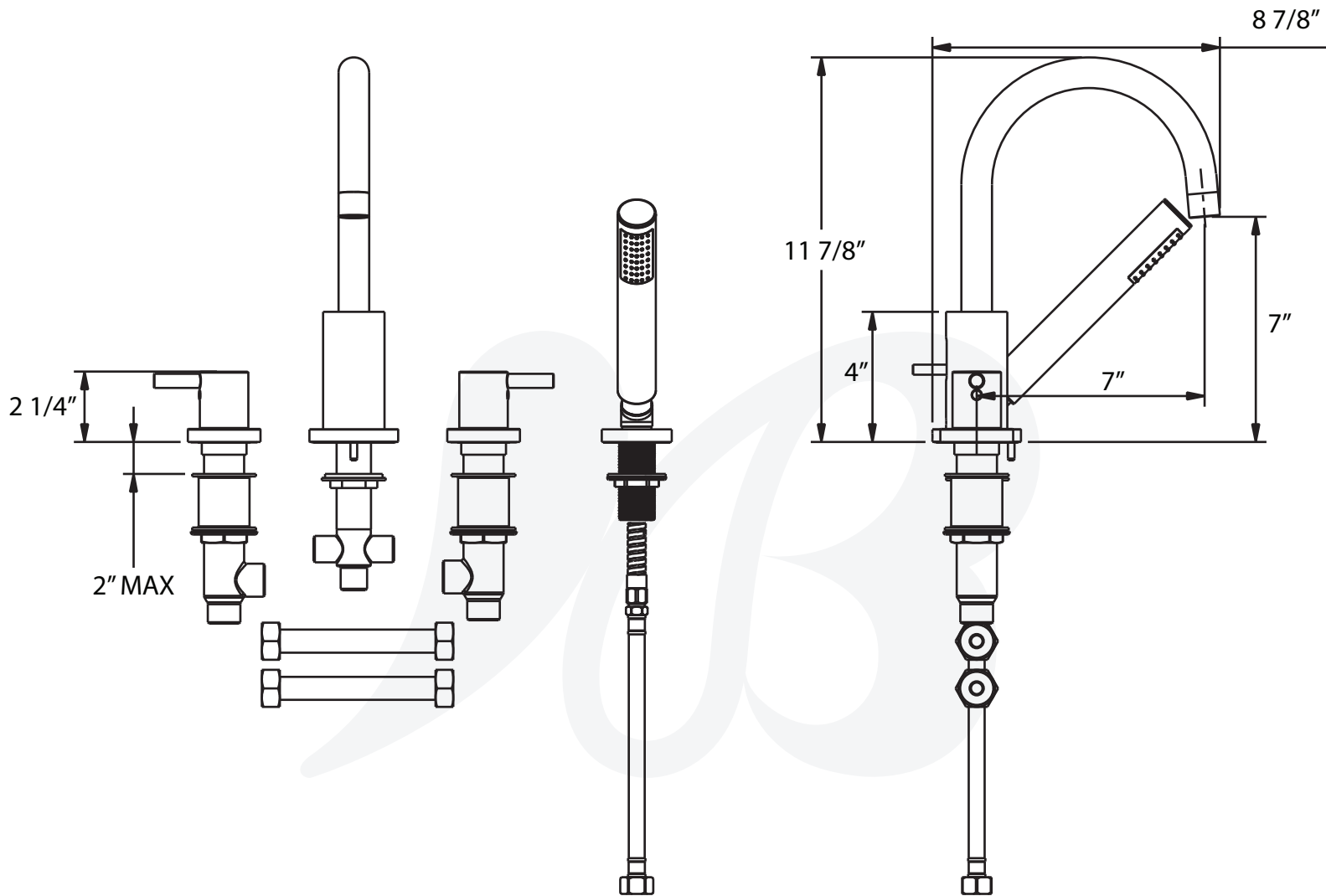
**Colors / Finishes**

- S7480201 - Chrome
- S7480229 - Satin Nickel
- S7480249 - Matte Black

**BREAK DOWN  
Component Parts List**

55	ATBP0071	1
54	ATBA0100	1
53	ATBP0070	1
52	CTNB0016	1
51	CTWR0061	1
50	CTPB0499	1
49	CTWR0114	1
48	CTCB0638	1
47	ATBL0026	1
46	CTWR0341	1
45	ATBA0360	1
44	ATBA4027	1
43	ATBE0141	1
42	CTQP0029	1
41	CTWR0024	1
40	CTNP0046-XD	1
39	ATBA3006-XD	1
38	CTRR0137	1
37	CTBB0026	1
36	ATBP0157	2
35	CTNB0156	1
34	CTWT0038	1
33	CTWR0217	1
32	CTPB0188	1
31	CTRR0139	1
30	CTDB0133	1
29	CTMB0593	1
28	CTBT0077	1
27	CTRP0067	1
26	CTRR0082	3
25	CTPB0468	1
24	CTWB0048	1
23	CTRR0138	2
22	CTDB0424	1
21	CTRR0113	1
20	CTDB0613	1
19	CTST0224	1
18	CTRR0215	1
17	CTST0153	1
16	CTMB0588	1
15	CTYB0762	1
14	CTRR0098	1
13	ATBP0267	1
12	CTNP0046-XR	1
11	CTWQ0007	2
10	ATBA3006-XR	1
9	CTCT0035	2
8	CTWR0060	2
7	CTDB0394	2
6	CTRR0251	2
5	CTDB0549	2
4	CTWP0271	2
3	CTCP0072	2
2	CTST0117	2
1	CTHZ0586	2
NO.	Part No	Qty





Item Number	Type	Date
S7480201, S7480229, S7480249	Roman Tub Filler	5-7-2021