

S7420001, S7420029, S7420049 - Roman Tub Filler With Handshower

Description

- Metal lever handles
- "Trend" 8"- 16" roman tub filler faucet
- High arc spout
- 90 deg turn ceramic disc cartridges
- Quick connect spout installation
- 1/2" NPT connections
- 10 GPM

Standards

- Complies with IAPMO UPC/cUPC
- ADA Accessibility Guidelines for Buildings and Facilities - 4.27.4 Controls and Mechanisms



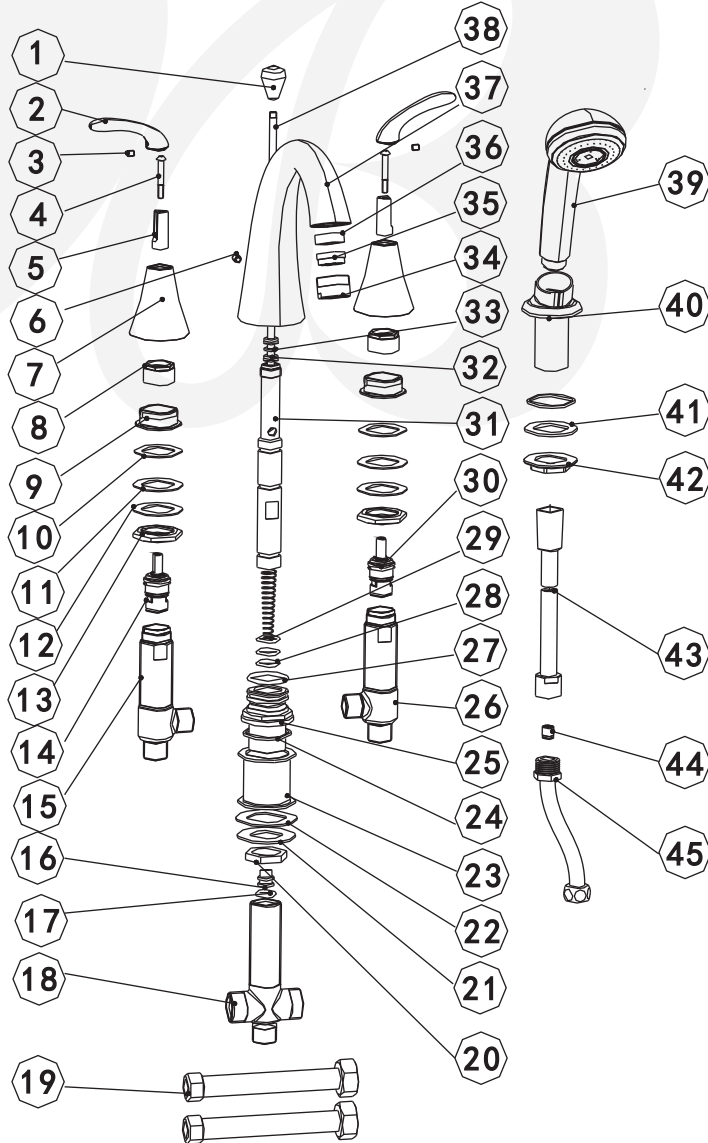
• S7420001

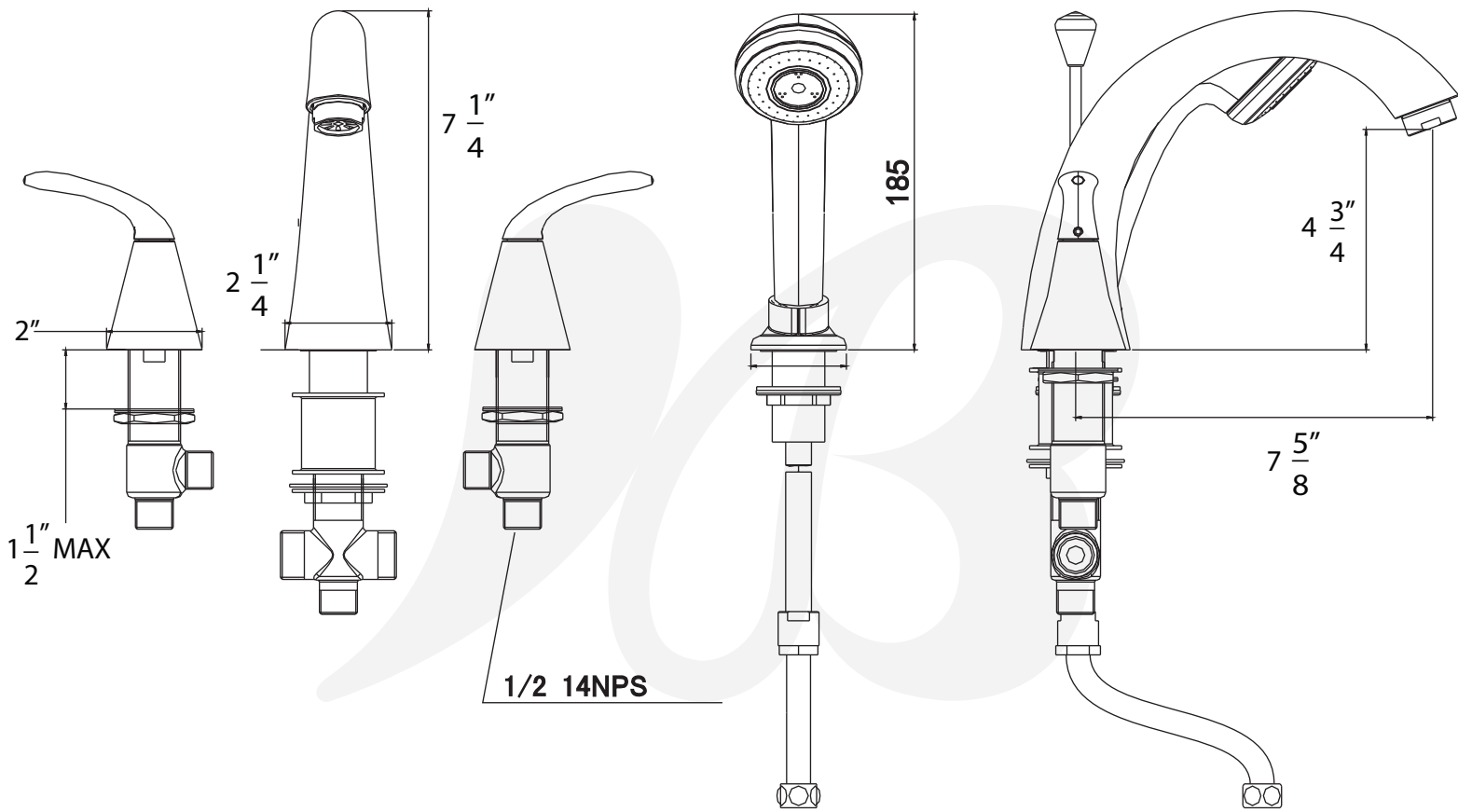
Colors / Finishes

- S7420001 - Chrome
- S7420029 - Satin Nickel
- S7420049 - Matte Black

BREAK DOWN
Component Parts List

NO.	Part No	Qty
01	CTHB0119	1
02	CTHZ0331	2
03	CTST0117	2
04	CTST0182	2
05	CTCP0380	2
06	CTST0137	2
07	CTCZ0163	2
08	CTNZ0004	2
09	CTNB0282	2
10	CTWR0297	2
11	CTWR0216	2
12	CTWT0039	2
13	CTNT0022	2
14	ATBA0128	1
15	CTPB0500	1
16	CTDB0133	1
17	CTRR0139	1
18	CTPB0427	1
19	ATBP0157	2
20	CTNB0156	1
21	CTWT0038	1
22	CTWR0115	1
23	CTCT0035	1
24	CTWR0060	1
25	CTTB0035	1
26	CTPB0501	1
27	CTRR0137	1
28	CTRR0082	1
29	ATBA0127	1
30	ATBA5007	1
31	CTPB0405	1
32	CTWR0295	1
33	CTWB0089	1
34	CTXB0021	1
35	CTQP0030	1
36	CTWR0018	1
37	CTFB0213	1
38	CTMT0032	1
39	ATBE0035	1
40	CTDB0042	1
41	CTWR0061	1
42	CTNB0016	1
43	ATBP0003	1
44	ATBA0100	1
45	ATBP0032	1





Item Number	Type	Date
S7420001, S7420029, S7420049	Roman Tub Filler	3/17/2016