

P6784001, P6784002, P6784016, P6784049 - PUSH BUTTON SHOWER PACKAGE

Description

PUSH BUTTON SHOWER PACKAGE

- 6" ABS rain shower head
- Three setting hand shower
- Swivel hand shower wall bracket
- Face plate with buttons and handle assembly
- 59" Shower hose

This package includes:

- Shower arm
- Two button shower trim
- Wall bracket
- Supply elbow
- Rain shower head
- Hand shower
- Hose

- **No Substitutions Allowed**
- **Rough in valve not included**

Standards

- Complies with IAPMO UPC/cUPC
- ADA Accessibility Guidelines for Buildings and Facilities - 427.4 Controlled Mechanisms



Colors / Finishes

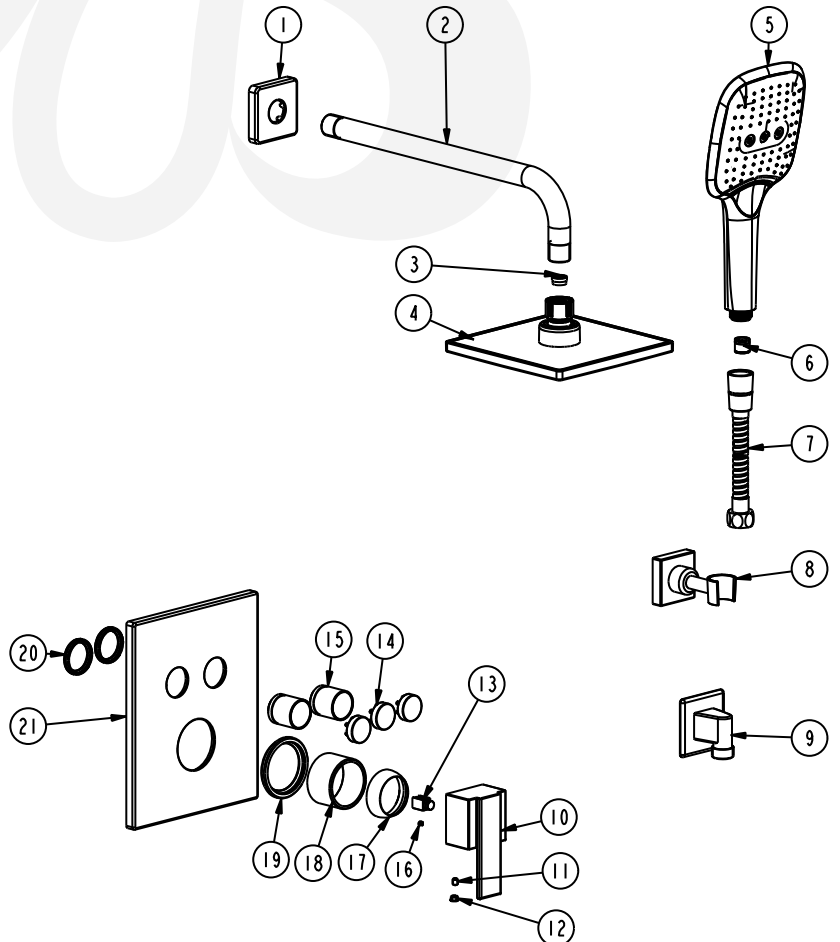
- P6784001** Chrome
- P6784002** PVD Satin Nickel
- P6784016** PVD Satin Brass
- P6784049** Matte Black

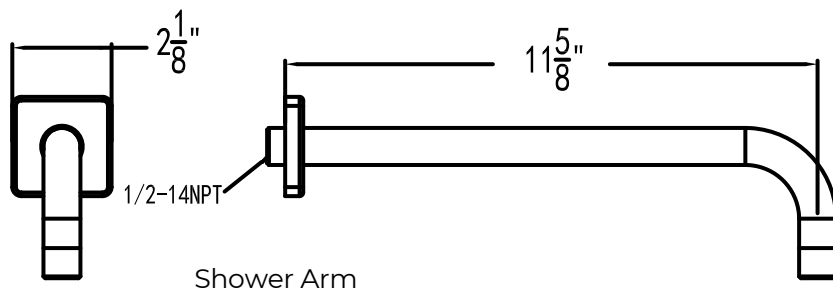


• P6784001

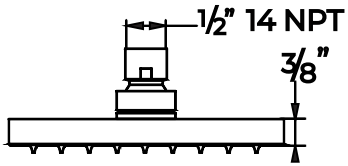
BREAK DOWN
Component Parts List

NO.	Drawing No.	Part Description	Quantity
21	CTCB0986	HOLES SQUARE ESCUTCHEON	1
20	CTWR0424	O-RING	2
19	CTWR0356	O-RING	1
18	CTCB0670	CAP	1
17	CTCB0185	CAP	1
16	CTST0144	SCREW	1
15	CTCB0988	DIVERTER SLEEVE	2
14	CTCP0605	SWITCH COVER	3
13	CTCB0916	CAP	1
12	CTCP0072	CAP	1
11	CTST0117	SCREW	1
10	CTHZ0642	HANDLE	1
9	ATBQ1039	CONNECTOR KIT	1
8	ATBQ1038	WALL BRACKET	1
7	ATBP0412	SHOWER HOSE	1
6	ATBA0313	SHOWER RESTRICTOR	1
5	ATBE0342	SHOWER	1
4	ATBE0198	SHOWER	1
3	ATBA0360	SHOWER RESTRICTOR	1
2	CTPT0081	SHOWER ARM	1
1	CTCT0112	COVER	1

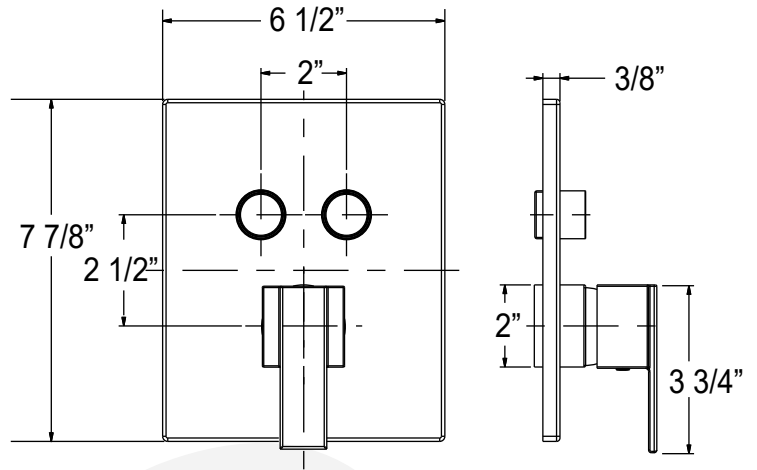
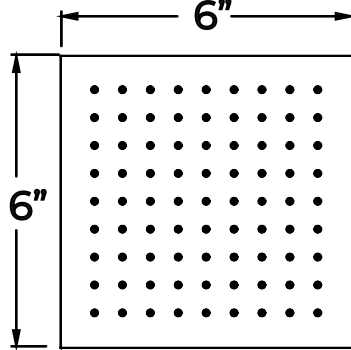




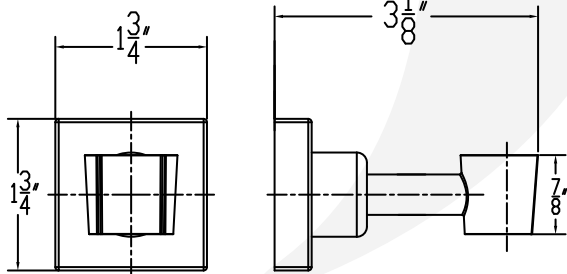
Shower Arm



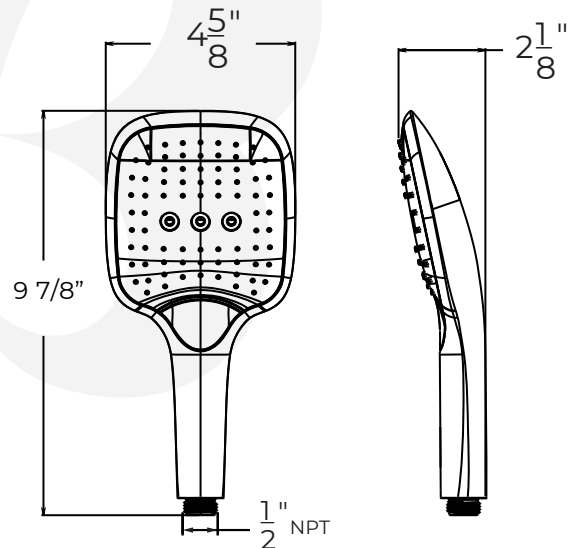
Shower Head



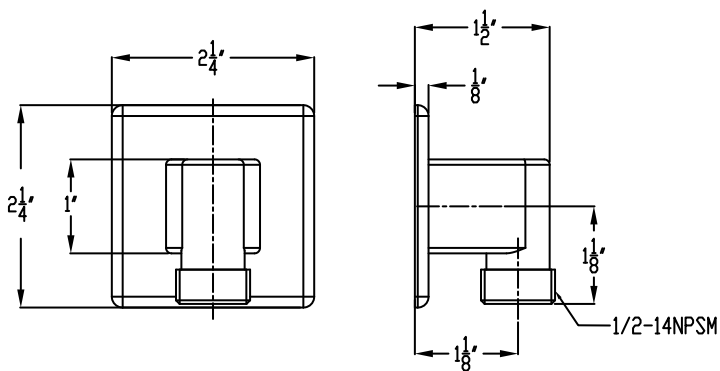
Valve Trim



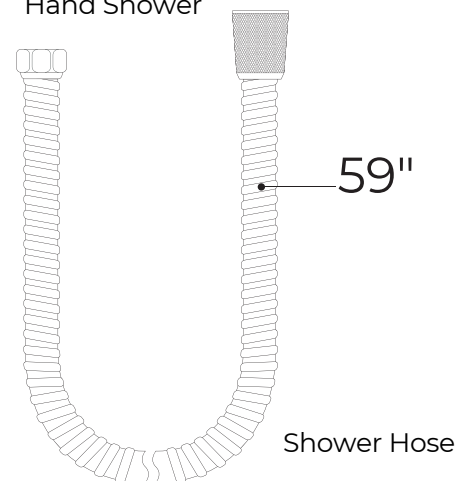
Hand shower Holder



Hand Shower



Supply Elbow



Shower Hose

Item Number	Type	Date
P6784001, P6784002, P6784016, P6784049	Shower Trim	2/28/2023