

P6783901, P6783902, P6783916, P6783949 - PUSH BUTTON SHOWER PACKAGE

Description

PUSH BUTTON SHOWER PACKAGE

- 8" ABS rain shower head
- Multi setting hand shower
- Swivel hand shower wall bracket
- Face plate with button & handle assembly
- 59" Shower hose

This package includes:

- Shower arm
- Two button shower trim
- Wall bracket
- Supply elbow
- Rain shower head
- Hand shower
- Hose

- **No Substitutions Allowed**
- **Rough in valve not included**

Standards

- Complies with IAPMO UPC/cUPC
- ADA Accessibility Guidelines for Buildings and Facilities - 427.4 Controlled Mechanisms



Colors / Finishes

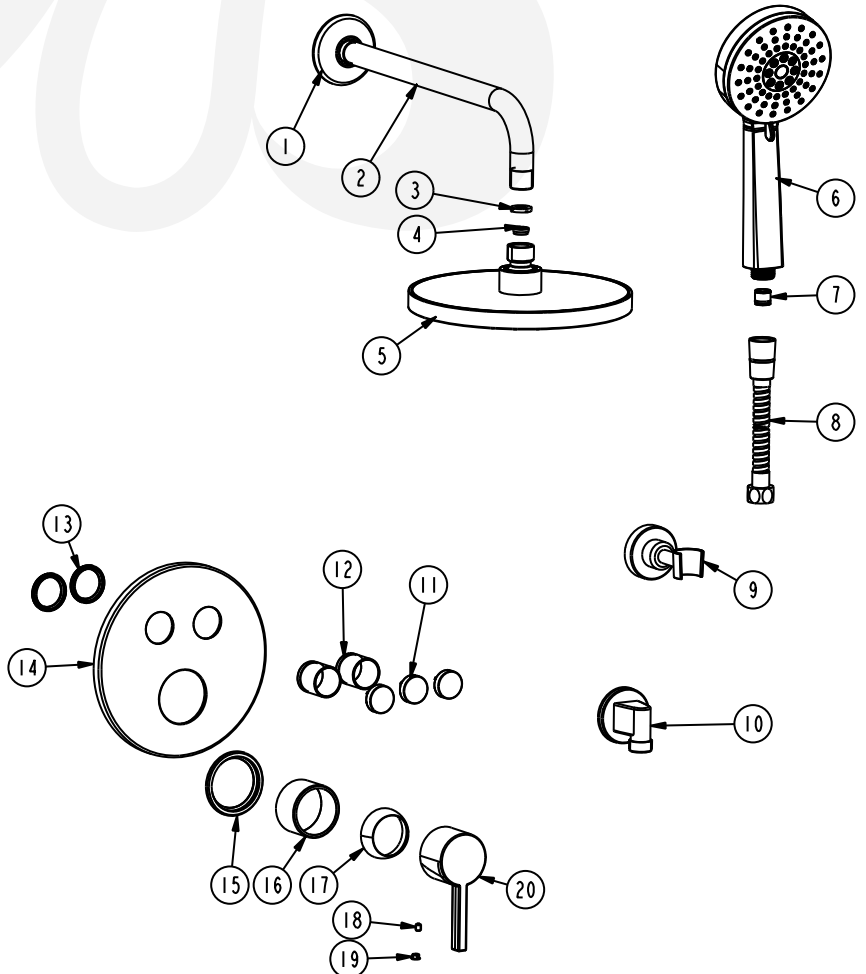
- P6783901** Chrome
- P6783902** PVD Satin Nickel
- P6783916** PVD Satin Brass
- P6783949** Matte Black

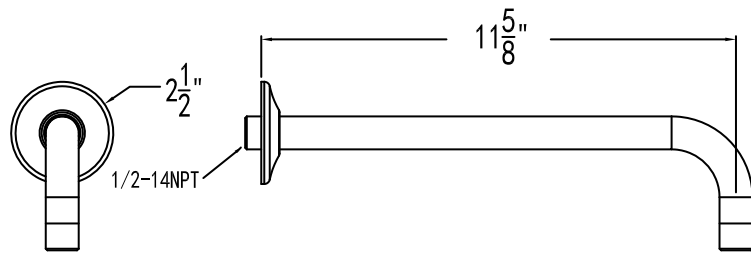


• P6783901

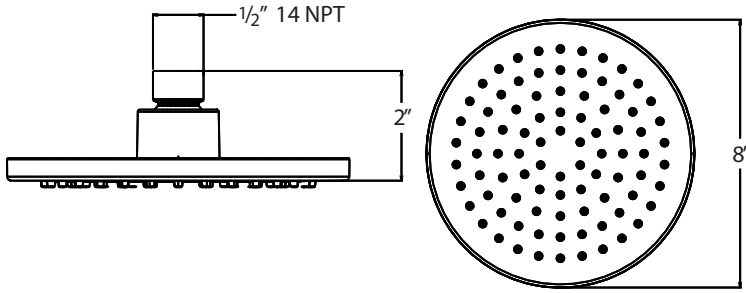
BREAK DOWN
Component Parts List

NO.	Drawing No.	Part Description	Quantity
20	CTH70296	HANDLE	1
19	CTCP0072	CAP	1
18	CTST0117	SCREW	1
17	CTCP0679	CAP	1
16	CTCB0670	CAP	1
15	CTWR0356	O-RING	1
14	CTCB0983	HOLES SQUARE ESCUTCHEON	1
13	CTWR0424	O-RING	2
12	CTCB0988	DIVERTER SLEEVE	2
11	CTCP0605	SWITCH COVER	3
10	ATBQ0998	WALL BRACKET	1
9	ATBQ1037	WALL BRACKET	1
8	ATBP0412	SHOWER HOSE	1
7	ATBA0313	SHOWER RESTRICTOR	1
6	ATBE0377	SHOWER	1
5	ATBE0313	SHOWER	1
4	ATBA0281	SHOWER	1
3	CTWR0430	O-RING	1
2	CTPT0081	SHOWER ARM	1
1	CTCT0070	CAP	1

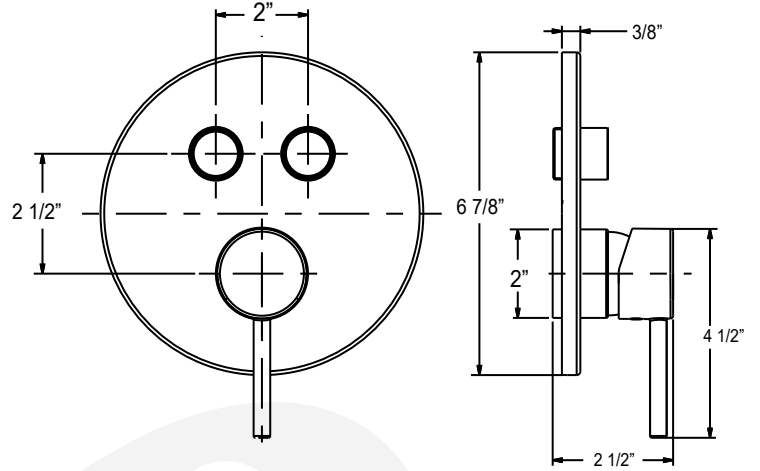




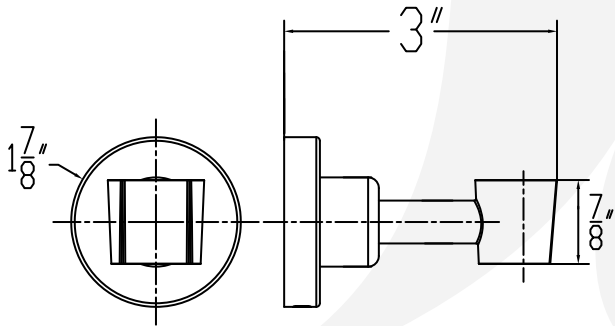
Shower Arm



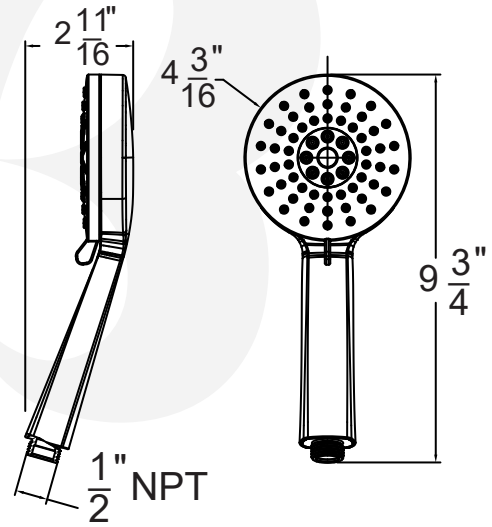
Shower Head



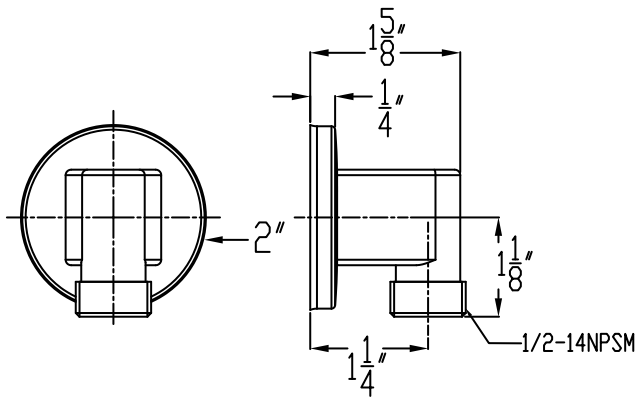
Valve Trim



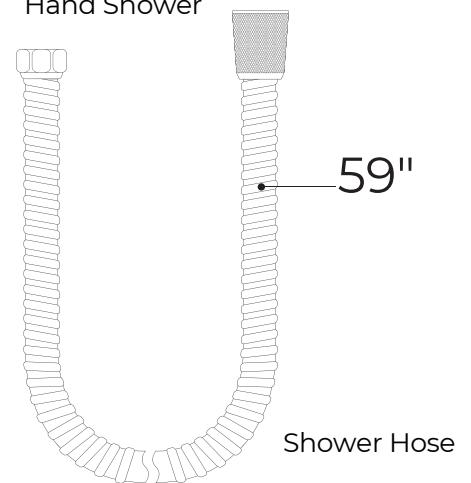
Hand shower Holder



Hand Shower



Supply Elbow



Shower Hose

Item Number	Type	Date
P6783901, P6783902, P6783916, P6783949	Shower Trim	2/28/2023