

P6683801, P6683802, P6683816, P6683849 - Thermostatic Shower Trim

Description

THERMOSTATIC SHOWER PACKAGE

- 6" ABS rain shower head
- Three setting hand shower
- Swivel hand shower wall bracket
- Face plate with handle assembly
- 59" Shower hose

This package includes:

- Shower arm
- Rain shower head
- Thermostatic trim
- Hand shower
- Wall bracket
- Hose
- Supply elbow

- **No Substitutions Allowed**
- **Rough in valve not included**

Standards

- Complies with IAPMO UPC/cUPC
- ADA Accessibility Guidelines for Buildings and Facilities - 427.4 Controlled Mechanisms



Colors / Finishes

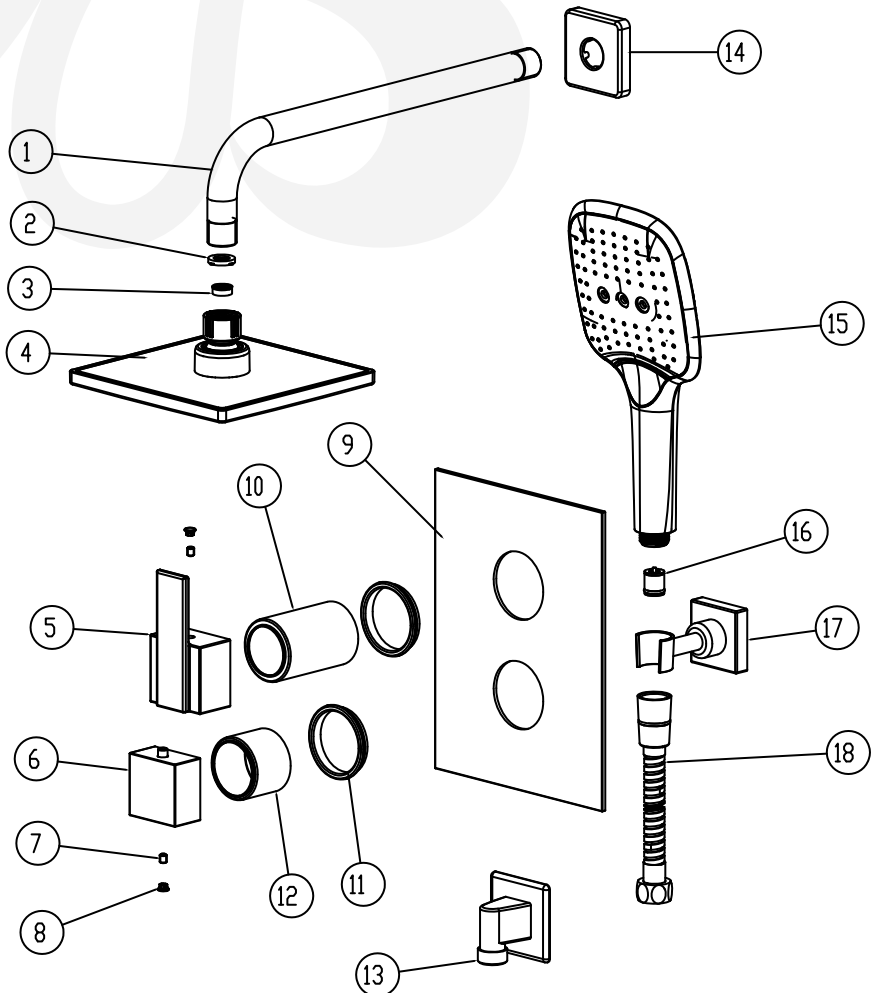
- P6683801** Chrome
- P6683802** PVD Satin Nickel
- P6683816** PVD Satin Brass
- P6683849** Matte Black

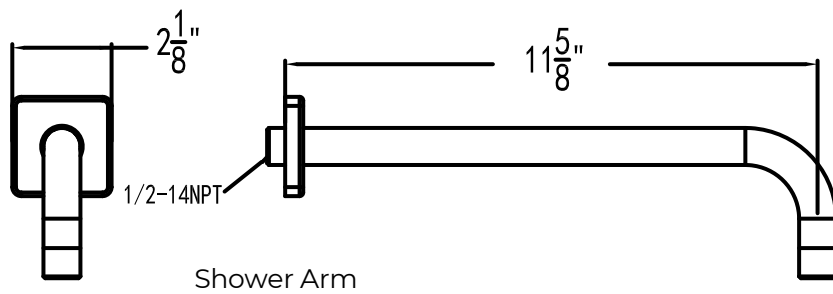


• P6683801

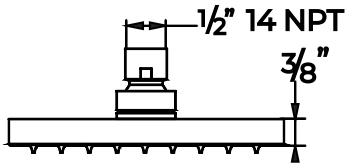
BREAK DOWN
Component Parts List

18	ATBP0412	HOSE	1
17	ATBQ1038	HAND SHOWER HOLDER	1
16	ATBA0313	CHECKSTOP	1
15	ATBE0342	SHOWER	1
14	CTCT0112	COVER	1
13	ATBQ1039	ADAPTER	1
12	CTCB0905	COVER	1
11	CTCP0523	SEAL	2
10	CTCB0858	COVER	1
9	CTCB0856	FACE PLATE	1
8	CTCP0072	CAP	2
7	CTST0117	SCREW	2
6	ATBH0192	HANDLE	1
5	CTHZ0642	HANDLE	1
4	ATBE0198	SHOWER	1
3	ATBA0360	RESTRICTOR	1
2	CTWR0430	WASHER	1
1	CTPT0081	SHOWER ARM	1
NO.	Drawing No.	Part Description	Quantity

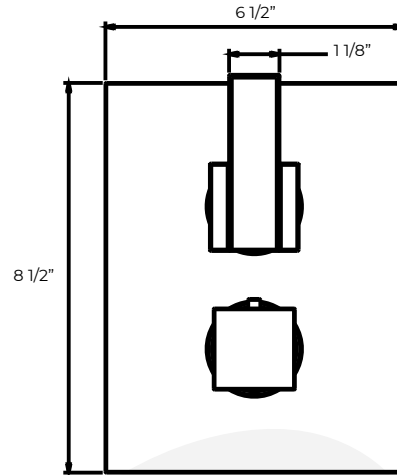
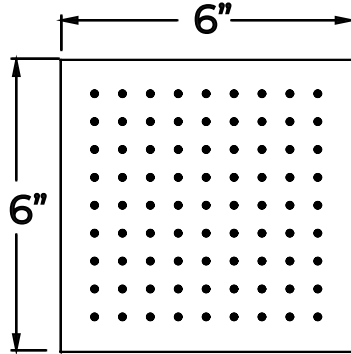




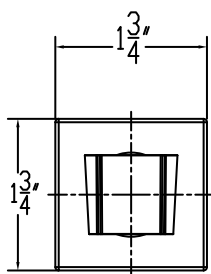
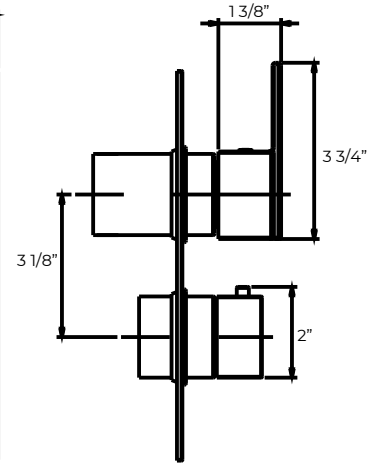
Shower Arm



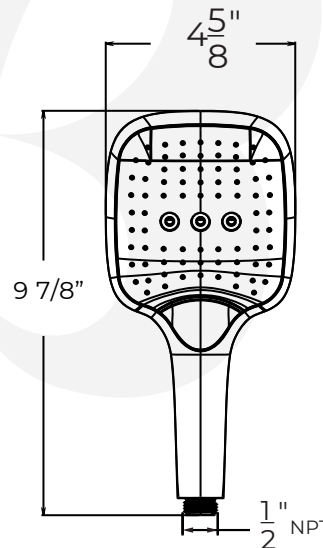
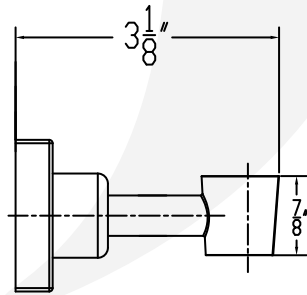
Shower Head



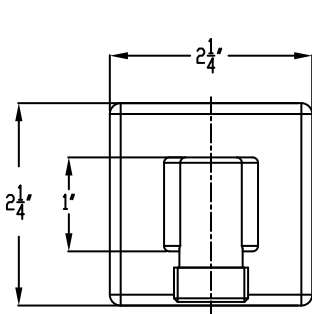
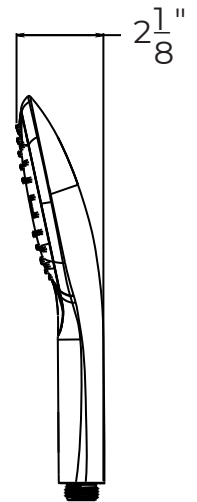
Valve Trim



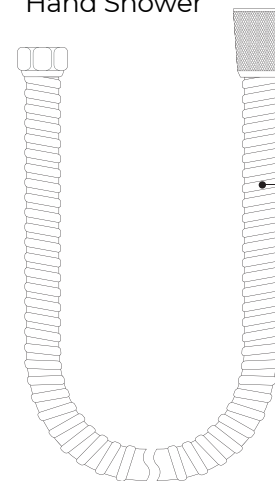
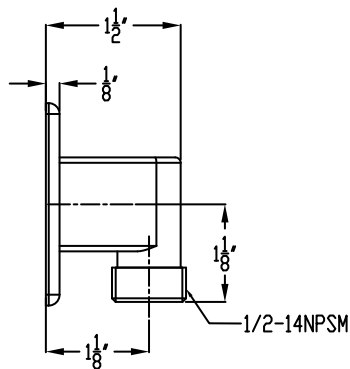
Hand shower Holder



Hand Shower



Supply Elbow



Shower Hose

Item Number	Type	Date
P6683801, P6683802, P6683816, P6683849	Shower Trim	2/27/2023