

P6382701-1, P6382702-1, P6382716-1, P6382749-1 - SHOWER PACKAGE

Description

DAVENPORT TUB & SHOWER TRIM

- Metal lever handle
- 6" Face rain shower head
- Square style face plate- 8" Shower arm
- 1.5 GPM shower head

This tub & shower package includes:

- Shower arm
- Shower head
- Valve trim
- Tub Spout

VALVE SOLD SEPARATELY



• P6382701-1

Standards

- Complies with IAPMO UPC/cUPC
- ADA Accessibility Guidelines for Buildings and Facilities - 427.4 Controlled Mechanisms

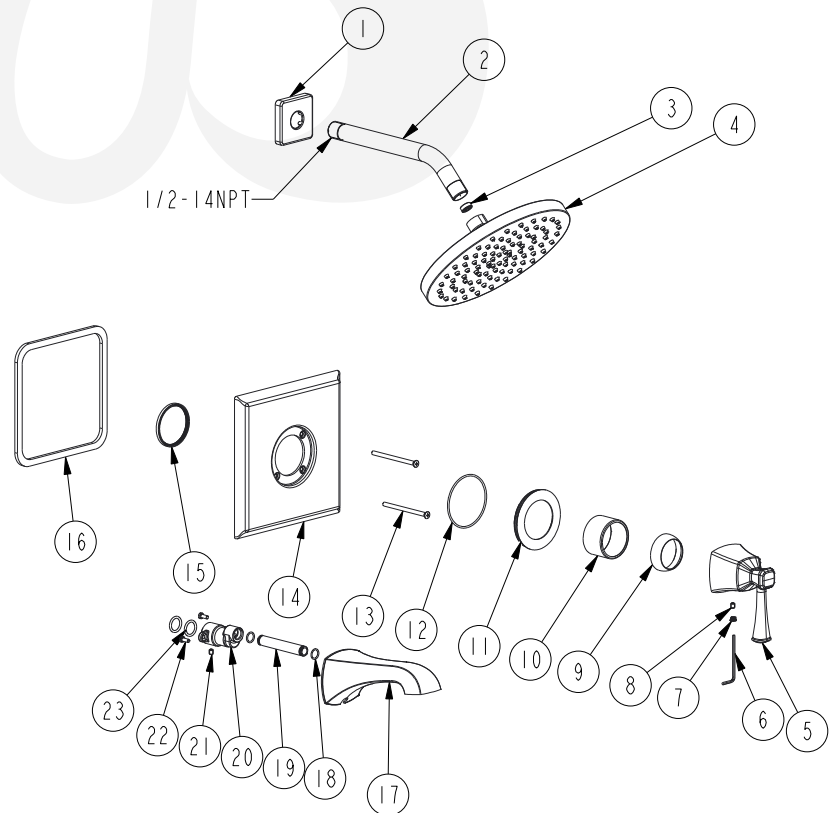


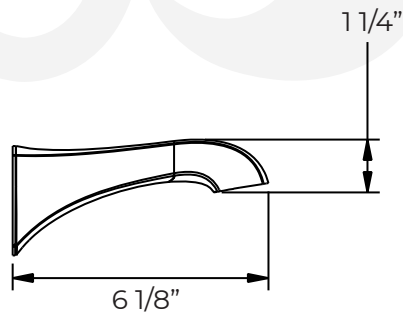
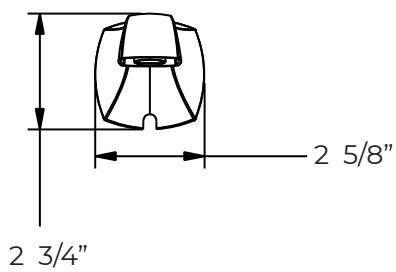
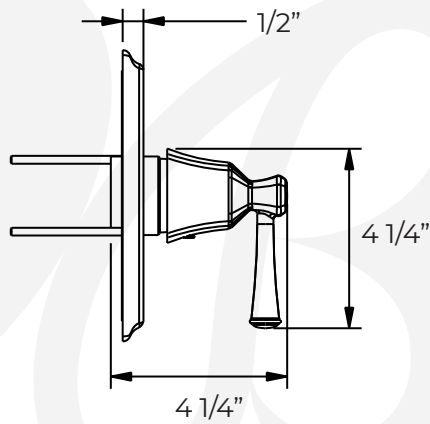
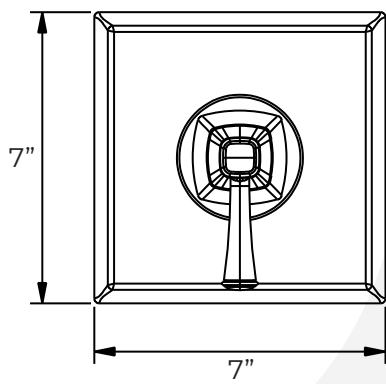
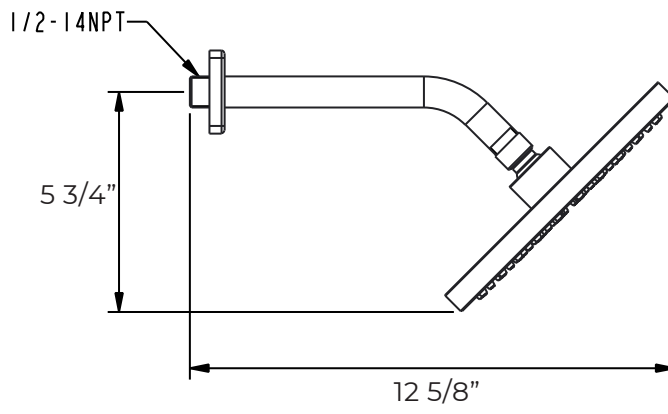
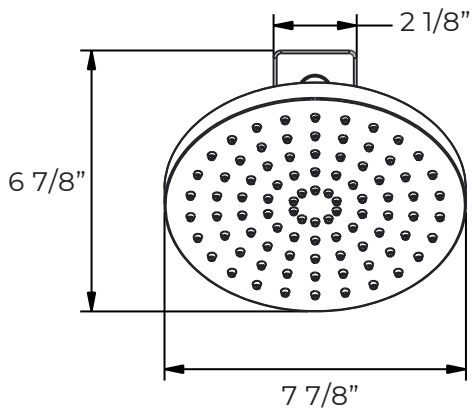
Colors / Finishes

- P6382701-1** Chrome
- P6382702-1** PVD Satin Nickel
- P6382716-1** PVD Satin Brass
- P6382749-1** Matte Black

BREAK DOWN
Component Parts List

23	CTRR0014	Q-RING	2
22	CTST0051	SCREW	2
21	CTST0117	SCREW	1
20	CTMB0979	ADAPTER	1
19	CTPB0681	CONNECTOR	1
18	CTRR0213	Q-RING	2
17	CTFZ0036	SPOUT	1
16	CTWR0426	WASHER	1
15	CTRR0123	BUTTON	1
14	CTCB0534	FACE PLATE	1
13	CTST0230	SET SCREW	2
12	CTRR0113	Q-RING	1
11	CTCB0231	CAP	1
10	CTCB0670	CAP	1
9	CTCB0185	COVER	1
8	CTST0117	SCREW	1
7	CTCP0072	CAP	1
6	CCQT0002	WRENCH	1
5	CTHZ0747	HANDLE	1
4	ATBE0313	SHOWER	1
3	ATBA0203	RESTRICTOR	1
2	CTPT0051	SHOWER ARM	1
1	CTCT0112	CAP	1
NO.	Drawing No.	Part Description	Quantity





Item Number	Type	Date
P6382701-1, P6382702-1, P6382716-1, P6382749-1	Tub and Shower Trim	3/6/2023