

P6380201, P6380202, P6380202 - Tub and Shower Trim

Description

- Tub & shower trim kit
- Metal lever handle
- 3" diameter shower head
- 1 Setting shower head
- 1.5 GPM ASME Compliant
- VALVE SOLD SEPARATELY

Standards

- Complies with IAPMO UPC/cUPC
- ADA Accessibility Guidelines for Buildings and Facilities - 4.27.4 Controls and Mechanisms
- CALGreen compliant



• P6380201

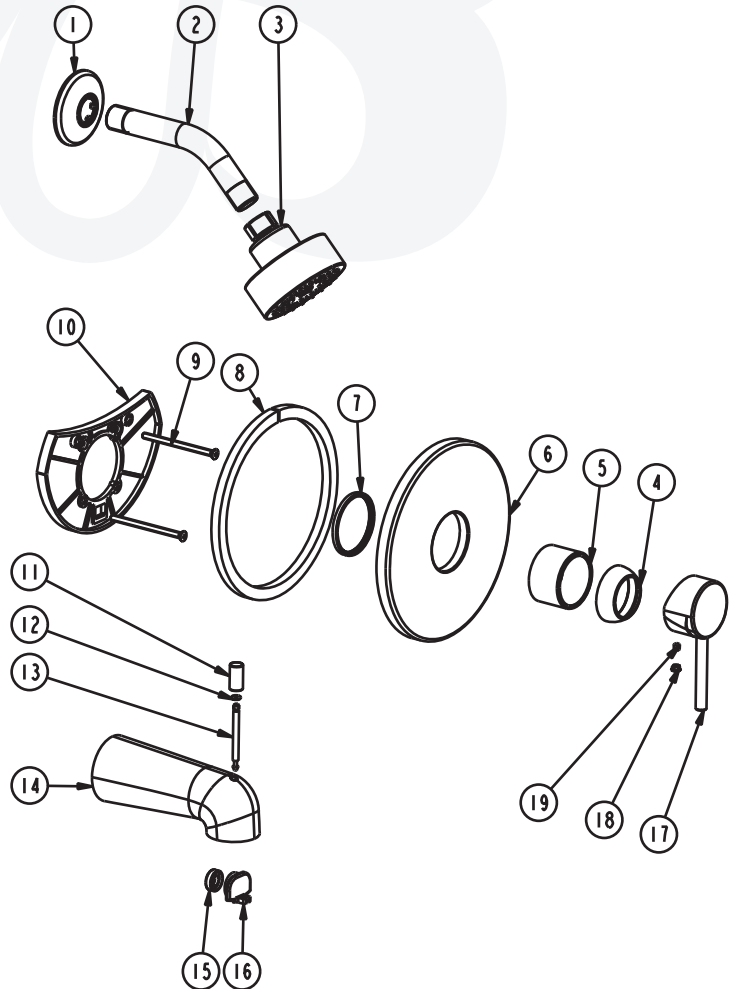


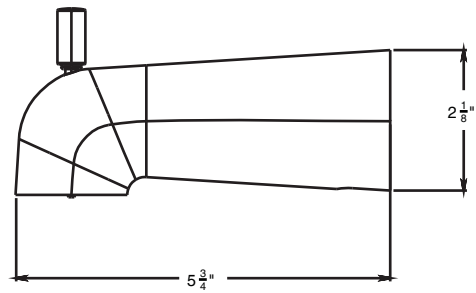
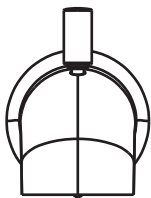
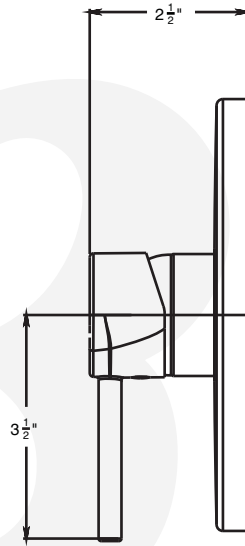
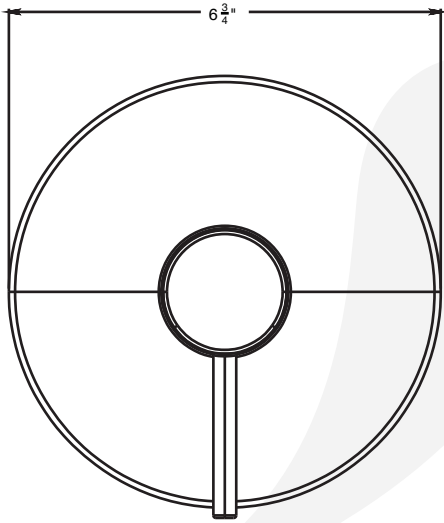
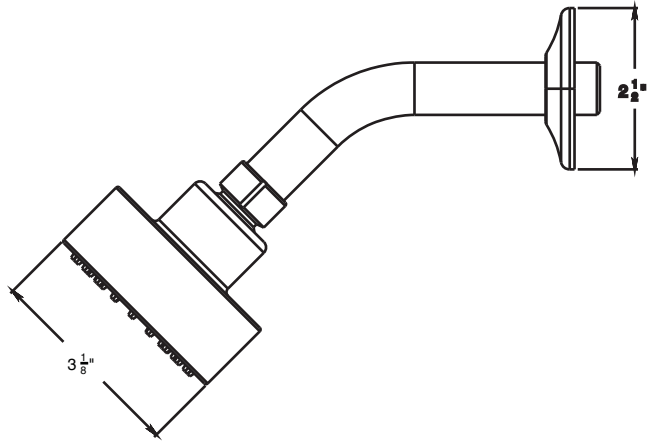
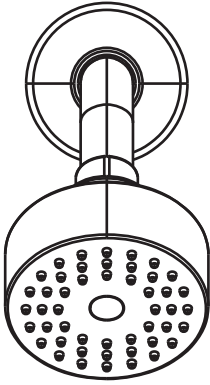
Colors / Finishes

- P6380201 - Chrome
- P6380202 - PVD Satin Nickel
- P6380249 - Matte Black

**BREAK DOWN
Component Parts List**

19	CTST4101	1
18	CTCP0072	1
17	CTHZ0258	1
16	CTKP0098	1
15	CTWR1032	1
14	CTFZ0013	1
13	CTMT0023	1
12	CTRR0164	1
11	CTMB0660	1
10	CTKP0102	1
9	CTST0230	2
8	CTWR0063	1
7	CTRR0123	1
6	CTCP0293	1
5	CTCB0670	1
4	CTCP0192	1
3	ATBE0152	1
2	CTPT0014	1
1	CTCT0070	1
NO.	Drawing No.	Quantity





Item Number	Type	Date
P6380201, P6380202, P6380249	Tub and Shower Trim	1/14/2016