

P6182101-2, P6182102-2, P6182116-2, P6182149-2 - SHOWER PACKAGE

Description

JOY SHOWER ONLY TRIM

- Easy to turn lever handle
- 6" Face shower head
- Round style face plate
- 1.5 GPM shower head

This shower package includes:

- Shower arm
- Shower head
- Valve trim

· VALVE SOLD SEPARATELY:

• P6182116-2



Standards

- Complies with IAPMO UPC/cUPC
- ADA Accessibility Guidelines for Buildings and Facilities - 427.4 Controlled Mechanisms

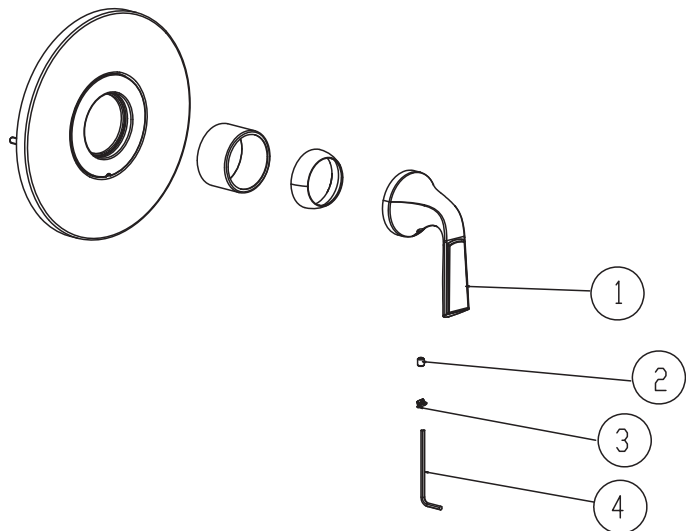
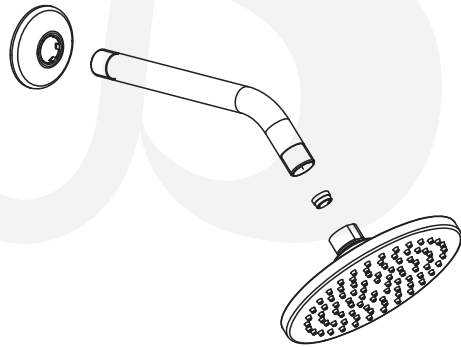


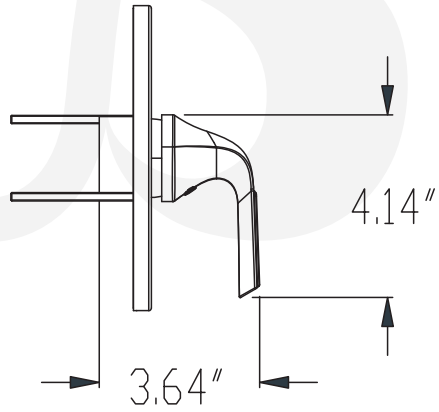
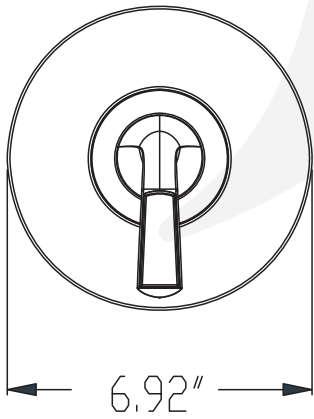
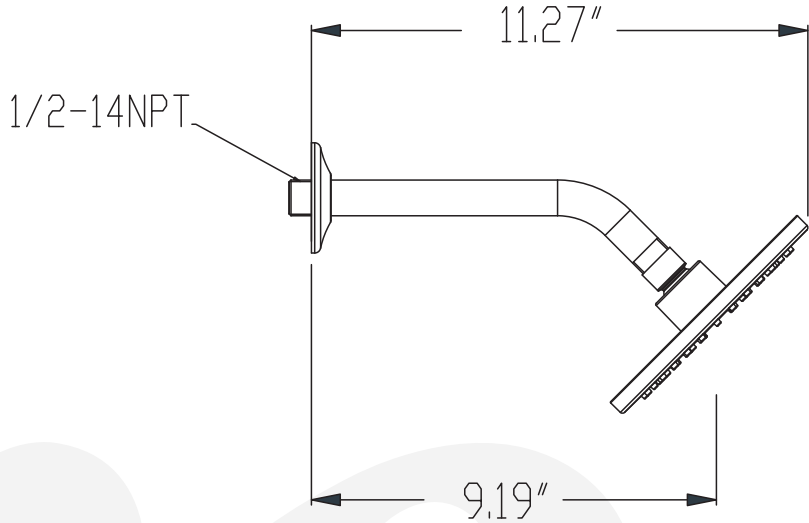
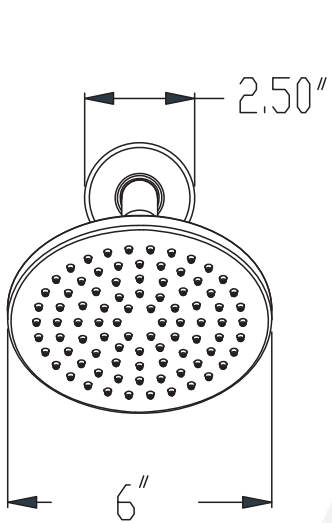
Colors / Finishes

- P6182101-2** Chrome
- P6182102-2** PVD Satin Nickel
- P6182116-2** PVD Satin Brass
- P6182149-2** Matte Black

BREAK DOWN
Component Parts List

NO.	Description	Qty
01	HANDLE	1
02	SCREW	1
03	CAP	1
04	WRENCH	1





Item Number	Type	Date
P6182101-2, P6182102-2, P6182116-2, P6182149-2	Shower Trim	5/9/2023