

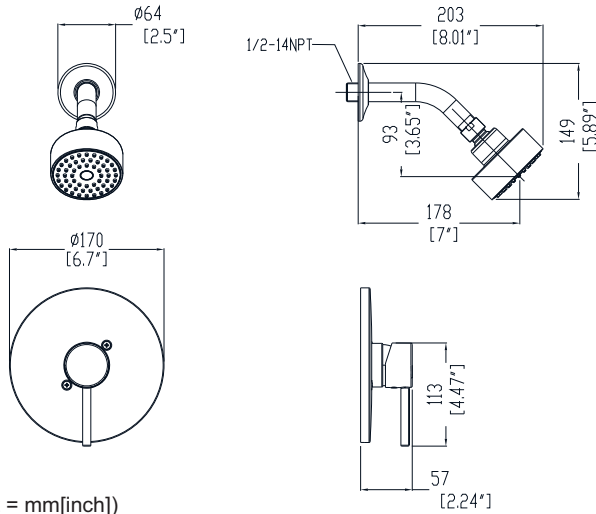


# P61802-JB

## SHOWER ONLY TRIM KIT



### DIMENSIONS



■ For Reference only (unit = mm[inch])

### TECHNICAL DETAILS

Please read the followings before installing and usage.

#### 1 Description

- Metal Handle
- 3 " Single Setting Shower Head

#### 3 Certificate



#### 2 Technique Parameter

Parameter Market	Water Pressure	Water Temperature
ASME A112.18.1/ CSA B125.1	20-80PSI	10-65°C

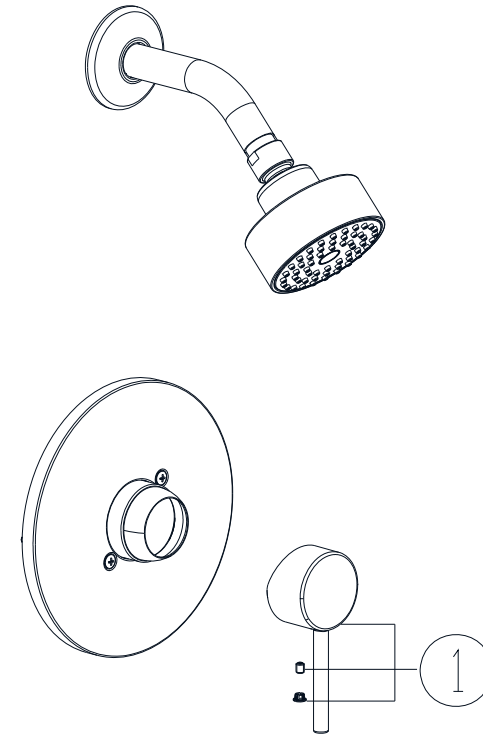
#### 4 Surface maintenance

Remove any surface dirt and film using clean water and cotton cloth. Spray cleaner such as mild liquid detergents, clear liquid glass cleaner, non-acidic and fully dissolved powder cleaners or non-abrasive liquid polishes on the rag to clean the faucet surface.

Once clean, rinse faucet again with clear water to thoroughly remove cleaner and dry with soft cotton cloth.

### EXPLODED DRAWING

Please read the followings before installing and usage.



NO.	Description	Qty
1	HANDLE ASSEMBLY	1

■ Notes: For reference only. We reserve the right to make changes without any notice.