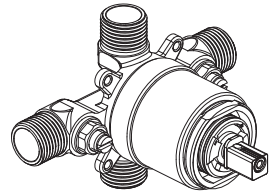
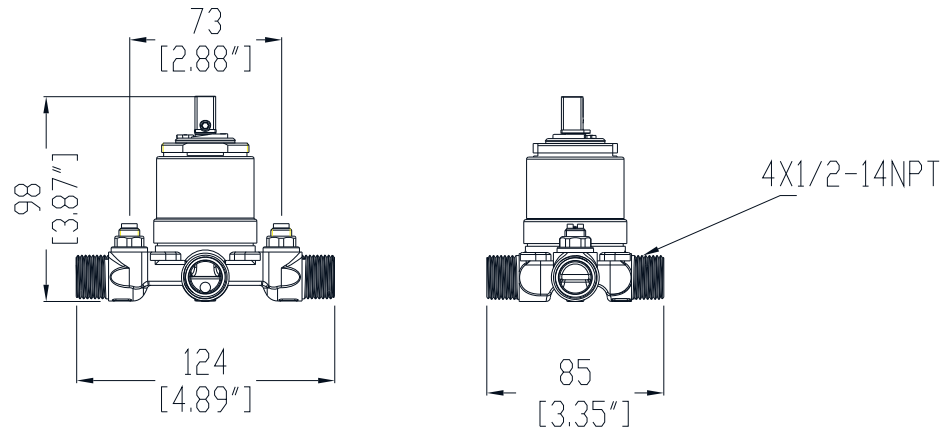


P4523199-JB

TUB AND SHOWER VALVE



DIMENSIONS



■ For Reference only (unit = mm[inch])

TECHNICAL DETAILS

Please read the followings before installing and usage.

1 Description

- Ceramic Disc Cartridge
- Metal Construction

3 Certificate



2 Technique Parameter

Parameter Market	Water Pressure	Water Temperature
ASME A112.18.1/ CSA B125.1	20-80PSI	10-65°C

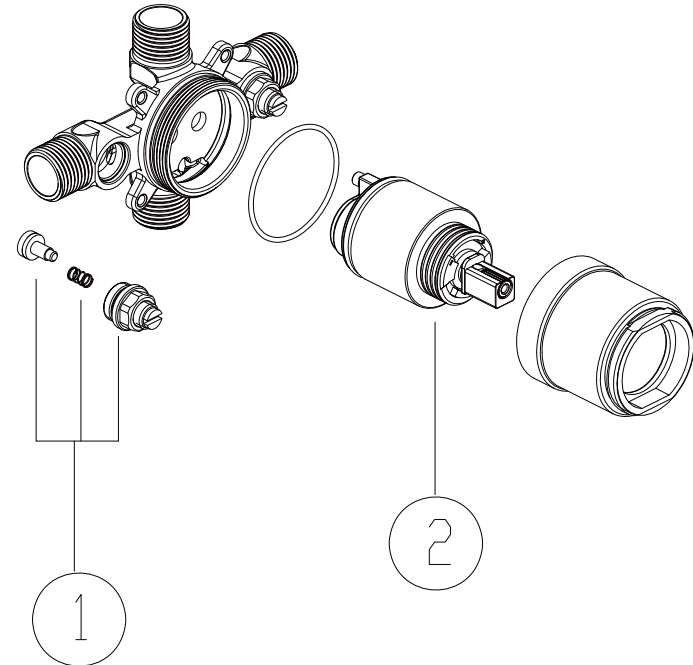
4 Surface maintenance

Remove any surface dirt and film using clean water and cotton cloth. Spray cleaner such as mild liquid detergents, clear liquid glass cleaner, non-acidic and fully dissolved powder cleaners or non-abrasive liquid polishes on the rag to clean the faucet surface.

Once clean, rinse faucet again with clear water to thoroughly remove cleaner and dry with soft cotton cloth.

EXPLODED DRAWING

Please read the followings before installing and usage.



NO.	Description	Qty
1	VALVE	1
2	CARTRIDGE ASSEMBLY	1

■ Notes: For reference only. We reserve the right to make changes without any notice.