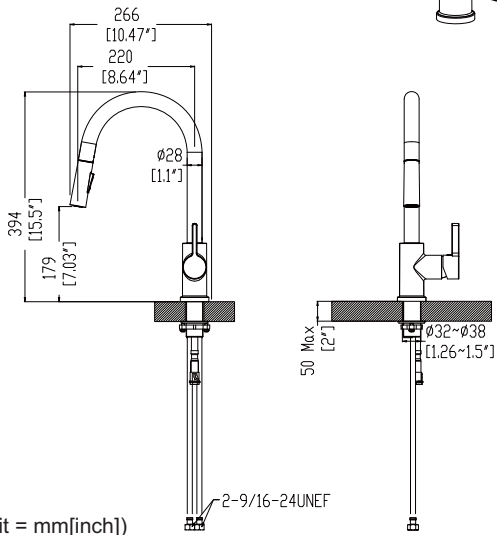


# K19607-JBYU1

SINGLE CONTROL PULL-DOWN  
KITCHEN FAUCET

## DIMENSIONS



■ For Reference only (unit = mm[inch])

## TECHNICAL DETAILS

Please read the followings before installing and usage.

### 1 Description

- Metal Handle
- Metal Construction

### 3 Certificate



### 2 Technique Parameter

Parameter Market	Water Pressure	Water Temperature
ASME A112.18.1/ CSA B125.1	20-80PSI	10-65°C

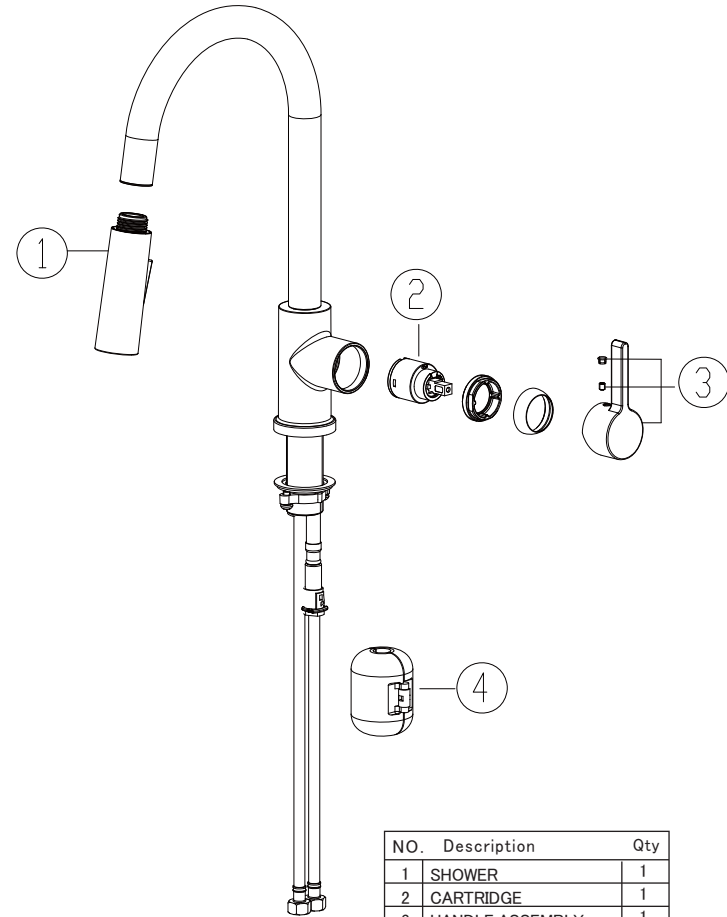
### 4 Surface maintenance

Remove any surface dirt and film using clean water and cotton cloth. Spray cleaner such as mild liquid detergents, clear liquid glass cleaner, non-acidic and fully dissolved powder cleaners or non-abrasive liquid polishers on the rag to clean the faucet surface.

Once clean, rinse faucet again with clear water to thoroughly remove cleaner and dry with soft cotton cloth.

## EXPLODED DRAWING

Please read the followings before installing and usage.



NO.	Description	Qty
1	SHOWER	1
2	CARTRIDGE	1
3	HANDLE ASSEMBLY	1
4	COUNTER WEIGHT	1

■ Notes: For reference only. We reserve the right to make changes without any notice.