

K1760701-PF, K1760729-PF - Kitchen Faucet

Description

EURO CURVE KITCHEN FAUCET

- Pull out sprayer
- 360° swing angle spout
- Ceramic disc cartridge
- Braided hoses with 3/8" compression nuts
- 1.8 GPM
- Deck Plate Included

K1760729-PF



Standards

- Certified with IAPMO UPC/cUPC
- California AB100 Complaint
- ADA Accessibility Guidelines for Buildings and Facilities - 427.4 Controlled Mechanisms
- CALGreen compliant



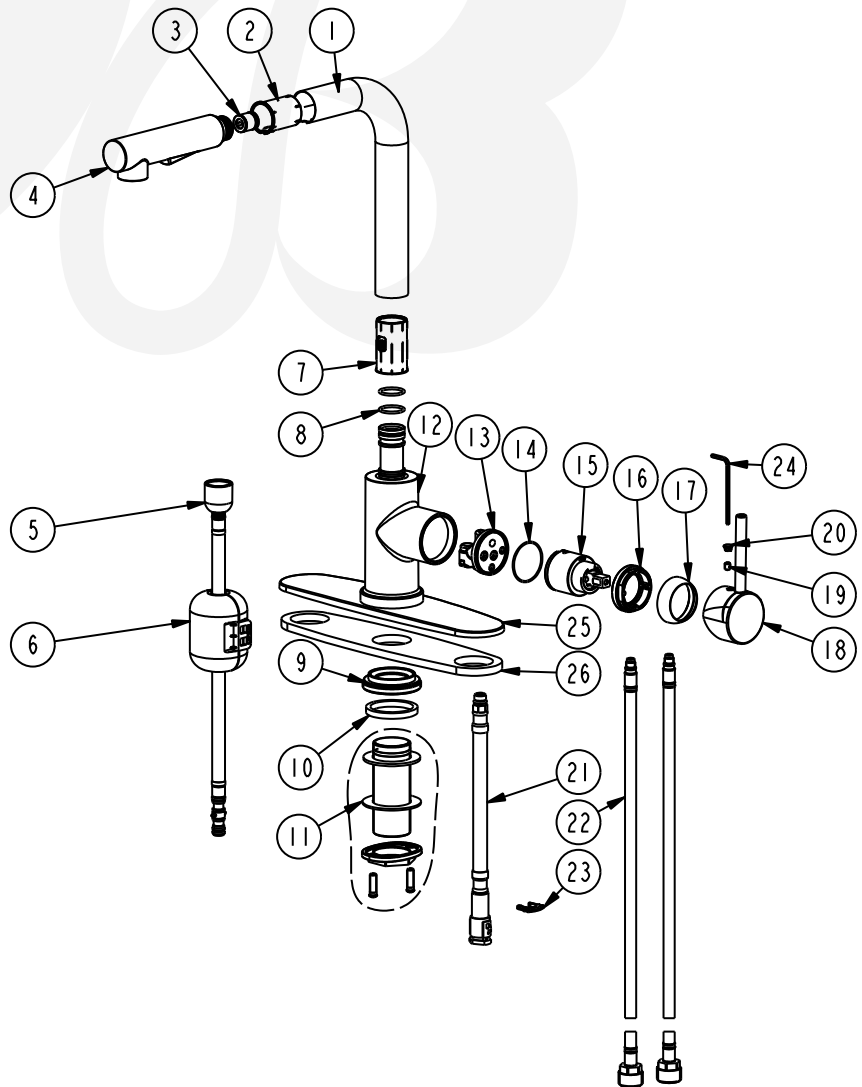
CALGreen

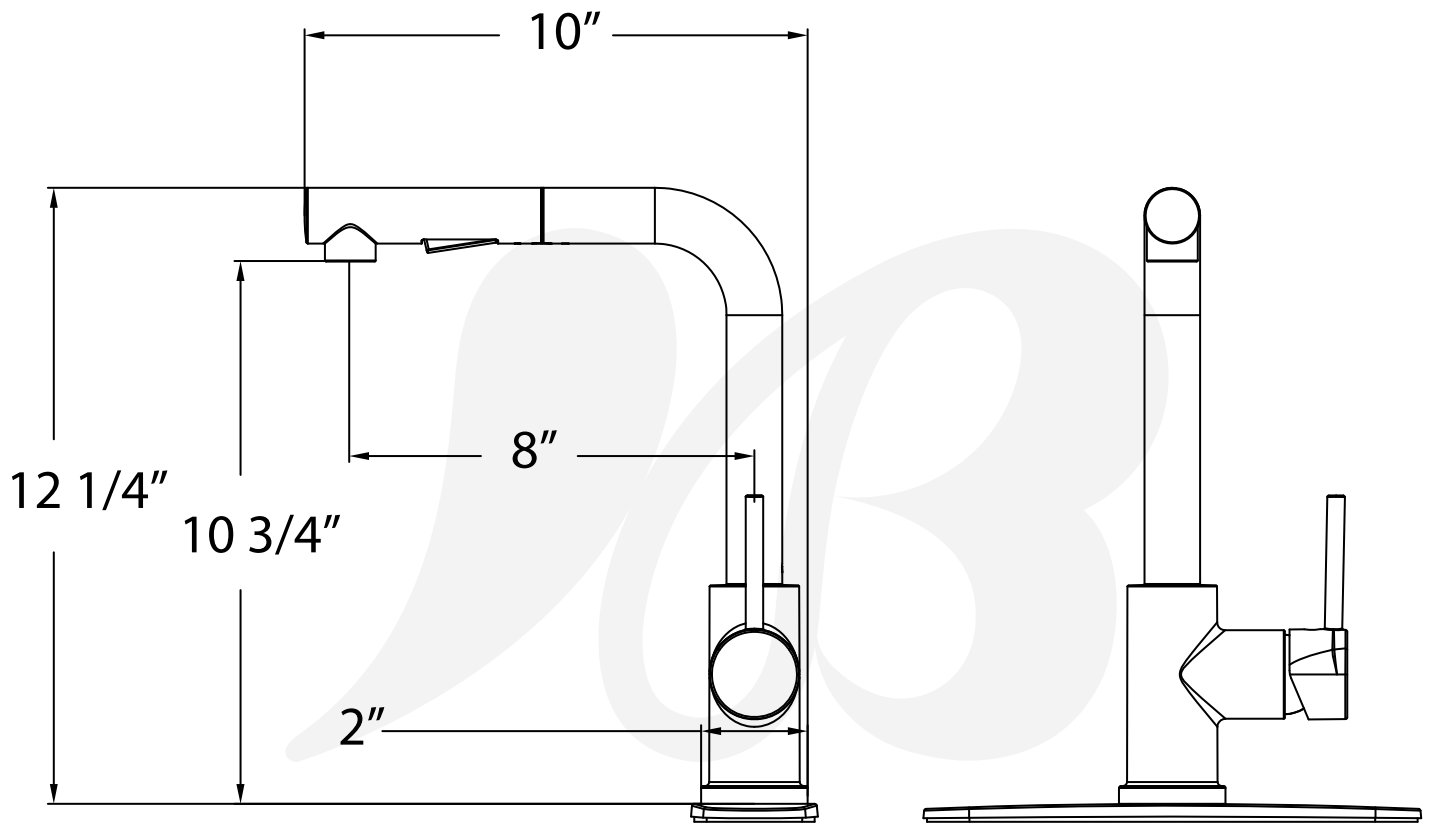
Colors / Finishes

- K1760701-PF** Chrome
- K1760729-PF** Satin Nickel

BREAK DOWN
Component Parts List

NO.	Drawing No	Part Description	QTY
26	CTWP0349	PLATE	1
25	CTCT0168	FACE PLATE	1
24	CCQT0002	HEX KEY	1
23	CTRP0102	C-RING	1
22	ATBP1078	HOSE	2
21	ATBP0379	HOSE	1
20	CTCP0072	CAP	1
19	CTST0117	SCREW	1
18	CTHZ0281	HANDLE	1
17	CTCP0366	COVER	1
16	CTKP0183	RETAINER	1
15	ATBA0285-XY2	CARTRIDGE	1
14	CTRR0284	O-RING	1
13	CTDP0102	BASE SEAT	1
12	CTYZ0048	BODY	1
11	ATBQ1044	SHANK	1
10	CTWP0346	WASHER	1
9	CTNP0078	NUT	1
8	CTRR0170	O-RING	2
7	CTCP0684	SLEEVE	1
6	ATBQ0882	KEY BOLT	1
5	ATBP0635	HOSE	1
4	ATBE0374	SHOWER HEAD	1
3	ATBA0181	Flow Regulator	1
2	CTCP0683	SLEEVE	1
1	CTPT0080	OUTLET	1





Model Number	Type	Date
K1760701-PF, K1760729-PF	Kitchen Faucet	3-6-2023