

P6120601, P6120629 - Shower Only Trim Set

Description

- Shower trim kit
- CYPRESS Lever handle
- 3" face shower head
- Single setting shower head
- 1.5 GPM ASME Compliant
- VALVE SOLD SEPARATELY

Standards

- Complies with IAPMO UPC/cUPC
- ADA Accessibility Guidelines for Buildings and Facilities - 4.27.4 Controls and Mechanisms
- CALGreen compliant
- EPA WaterSense Certified by IAPMO R&T
- California Energy Commission Listed



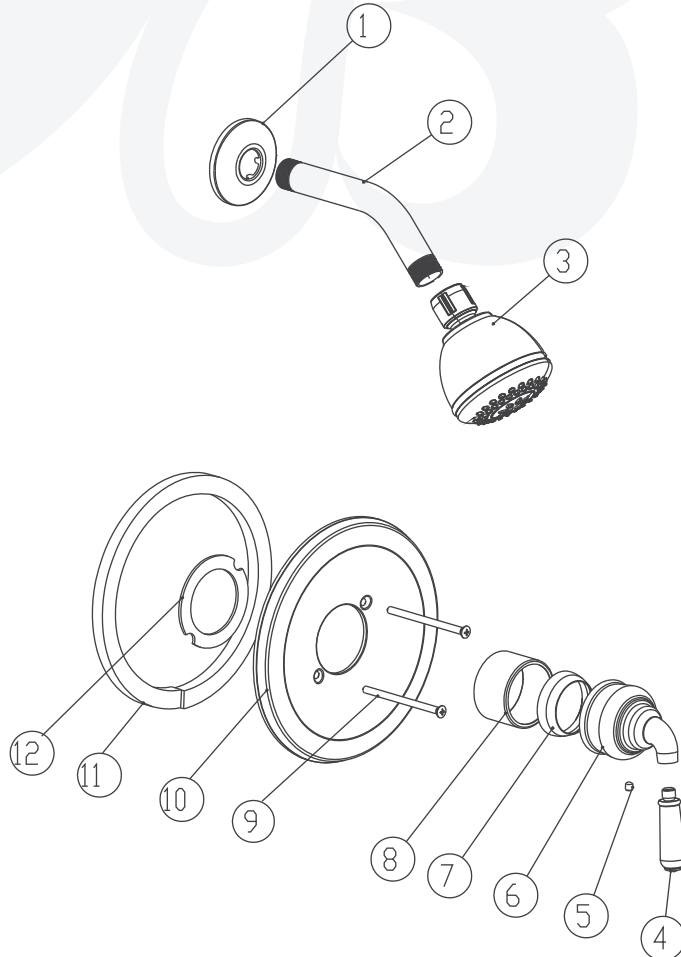
• P6120601

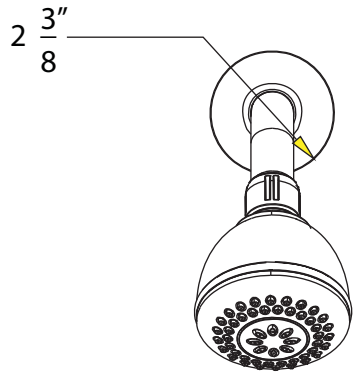
Colors / Finishes

- P6120601 - Chrome
- P6120629 - Satin Nickel

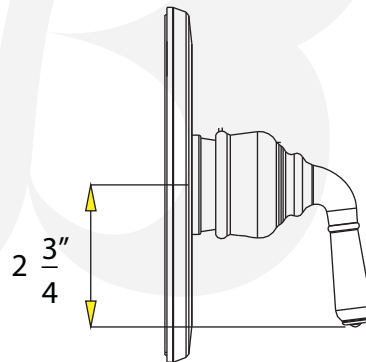
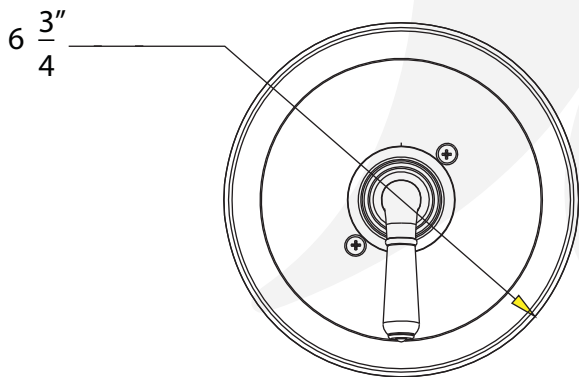
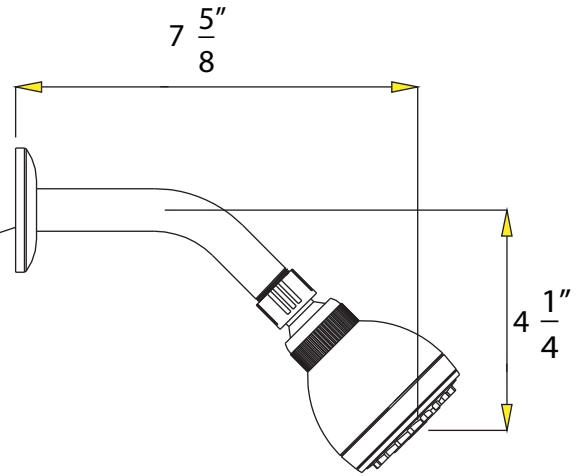
**BREAK DOWN
Component Parts List**

NO.	Part No	Qty	
		63610	63630
01	CTCT0043	1	1
02	CTPB0470	1	1
03	ATBE0123	1	1
04	CTHP0035	1	1
05	CTST4101	1	1
06	CTCZ0192	1	1
07	CTCB0185	1	1
08	CTCT0053	1	1
09	CTST0230	2	2
10	CTCT0052	1	1
11	CTWP0192	1	1
12	CTWP0223	1	1





1/2-14NPT



Item Number	Type	Date
6320601, 6320629	Shower Only	3/14/2016