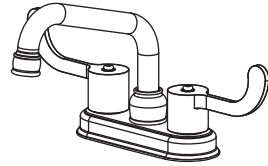
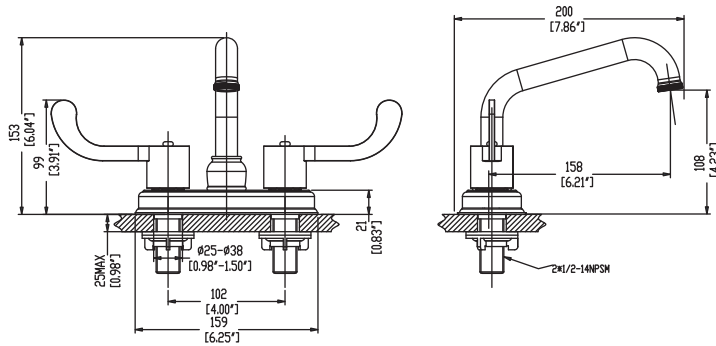


W95105-30

LAUNDRY FAUCET



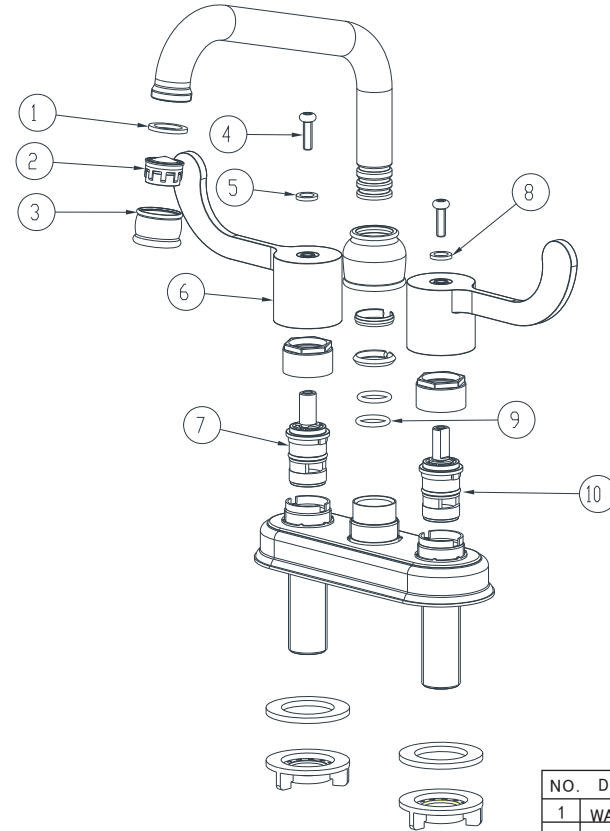
DIMENSIONS



■ For Reference only (unit = mm[inch])

EXPLODED DRAWING

Please read the followings before installing and usage.



TECHNICAL DETAILS

Please read the followings before installing and usage.

1 Description

- Zinc Handles
- SUS face plate

3 Certificate



2 Technique Parameter

Parameter	Water Pressure	Water Temperature
Market		
ASME A112.18.1/ CSA B125.1	20-80PSI	10-65°C

4 Surface maintenance

Remove any surface dirt and film using clean water and cotton cloth. Spray cleaner such as mild liquid detergents, clear liquid glass cleaner, non-acidic and fully dissolved powder cleaners or non-abrasive liquid polishers on the rag to clean the faucet surface.

Once clean, rinse faucet again with clear water to thoroughly remove cleaner and dry with soft cotton cloth.

NO.	Description	Qty
1	WASHER	1
2	AERATOR	1
3	AERATOR COVER	1
4	SCREW	2
5	CAP	1
6	HANDLE	2
7	CARTRIDGE	1
8	CAP	1
9	O-RING	2
10	CARTRIDGE	1

■ Notes: For reference only. We reserve the right to make changes without any notice.