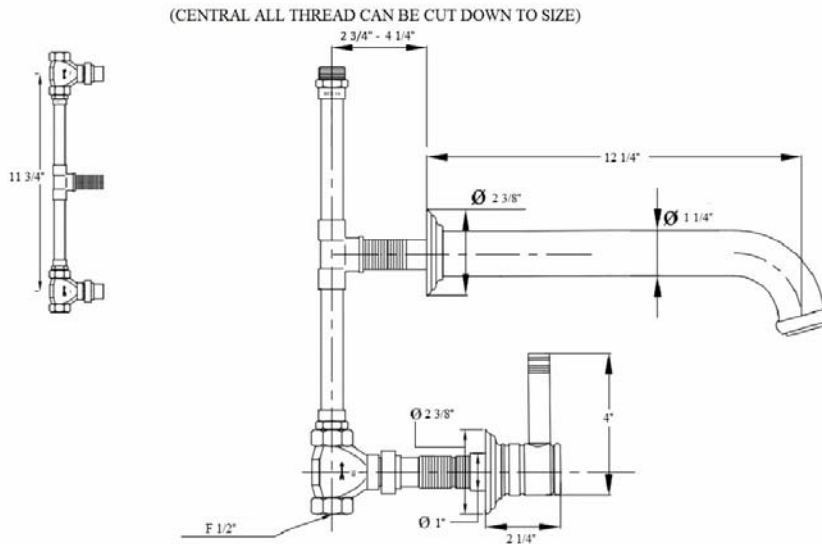


# 4212 – ‘Lille’ 3 Hole Wall Mount Kitchen Mixer



Part #	Description
01	Lille Wall mount Spout
02	Escutcheon
03	Spout Washer
04	Aerator Filter
05	Aerator Cover
06	Wall Escutcheon
07	Flat Rubber Washer
08	Lille Copper "T" Connection
09	½ Turn Cartridge Housing
10	½" Brass Adapter
11	¼ Turn Ceramic Ecobross Cartridge/Right
12	¼ Turn Ceramic Ecobross Cartridge/Left
13	Brass Hexagon Tube
14	Brass Extension
16	Rubber O-Ring
17	Inner Trim Housing
18	Splined Insert
19	Threaded Stem
20	Lille Metal Handle
21	Lille Handle Base

## Technical Information

- IAPMO: NSF/ANSI 61, NSF/ANSI 372 & ASME A112.18.1/CSA B125.1 Certified.
- New Style Metal Handles.
- 11 ¾" Spread C.T.C.
- ¼ Turn Ceramic Ecobross Cartridges.
- Maximum Flow rate is 1.2 GPM With New Low Flow Restrictor.
- Available Finishes are French Weathered Brass(**47**), Polished Chrome(**48**), Polished Brass(**55**), Polished Nickel(**56**), and Weathered Brass(**70**).
- Please see cleaning Instructions: <http://herbeau.com/CleaningAll.pdf> For Finish Care & Maintenance Information.

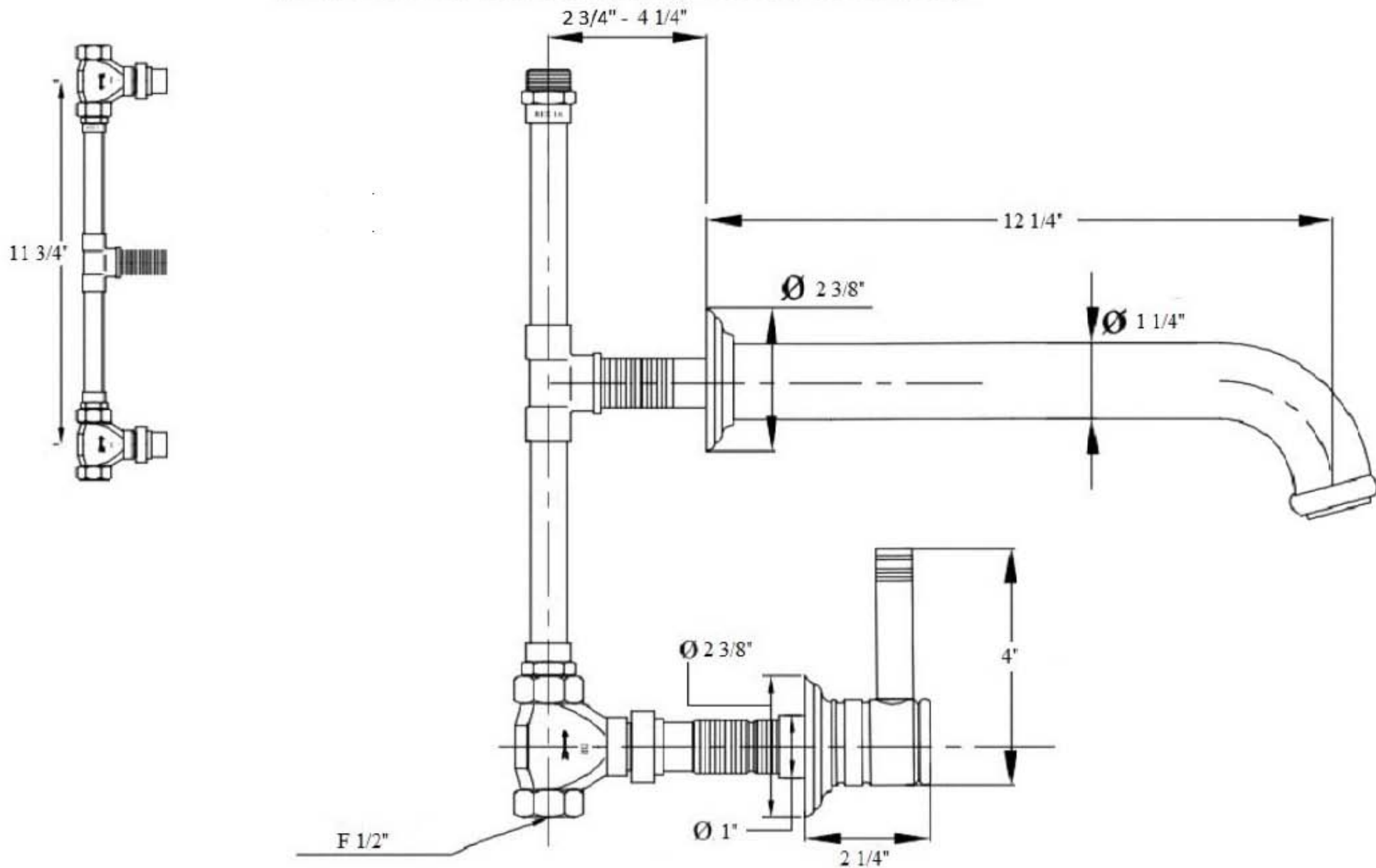
Please follow example when ordering parts for ‘Lille’ 3 Hole Mixer.

- To order part#20 – **Lille Metal Handle**
  - **950006xx**
- Please substitute finish number needed in place of **xx**.



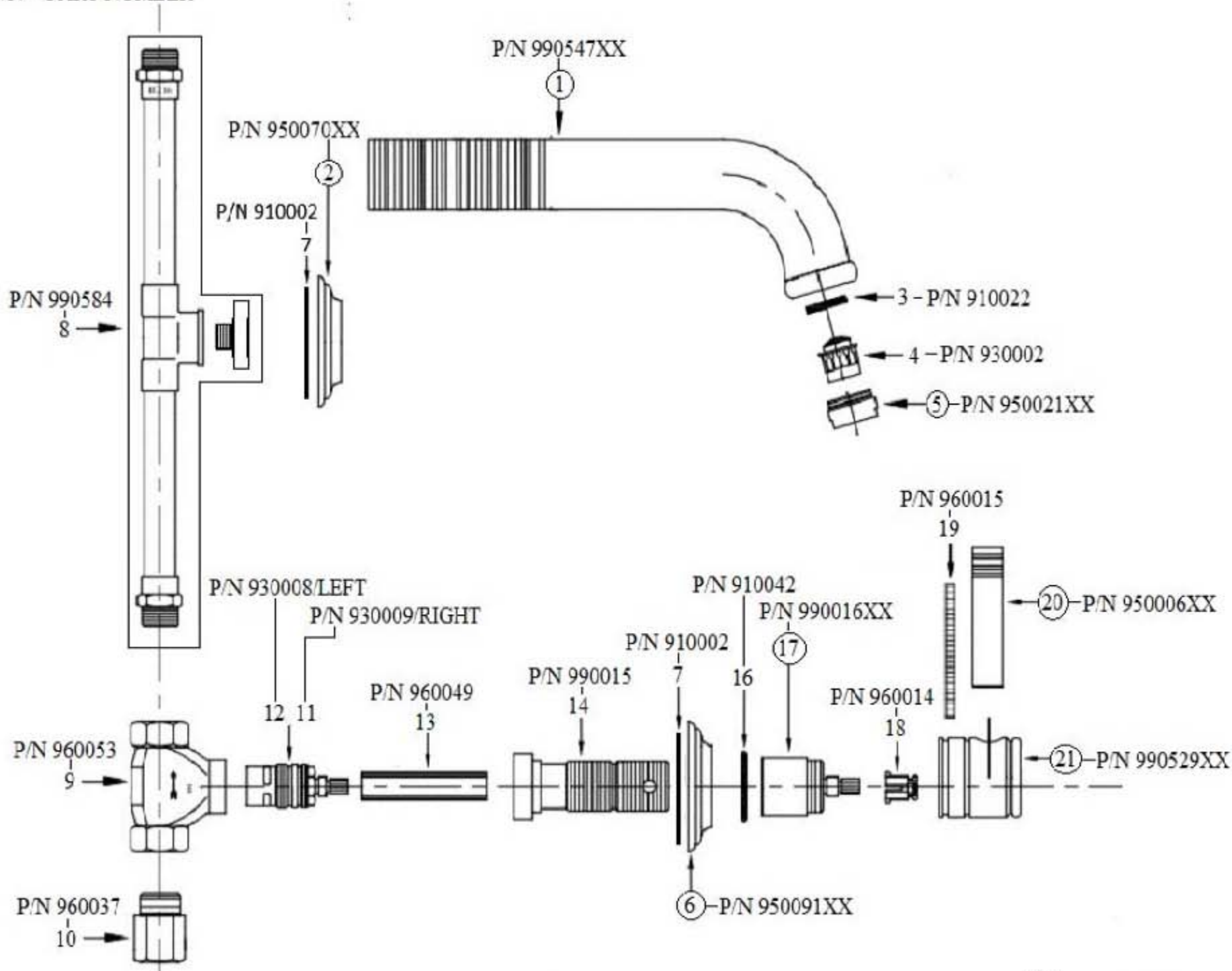
# 4212 - 'Lille' 3 Hole Wall Mount Kitchen Mixer

(CENTRAL ALL THREAD CAN BE CUT DOWN TO SIZE)



# 4212 - 'Lille' 3 Hole Wall Mount Kitchen Mixer

\*P/N = PART NUMBER



○ = FINISHED PARTS  
 XX = TWO DIGIT FINISH CODE