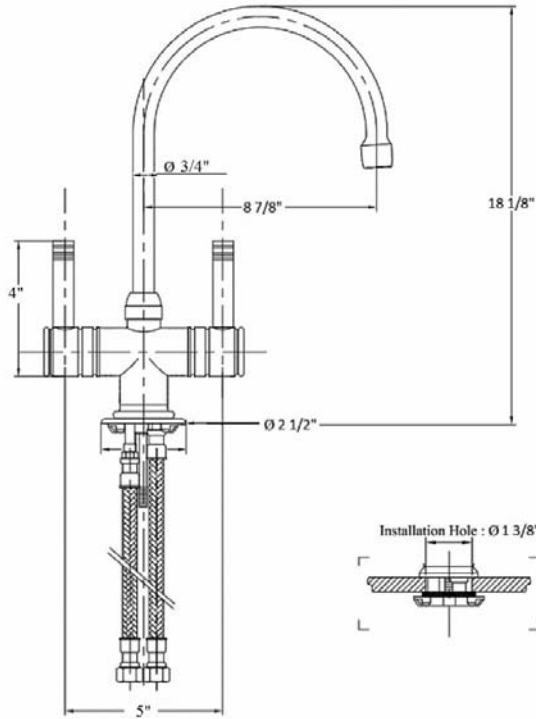


4210 – ‘Lille’ Single Hole Kitchen Mixer



Technical Information

- IAPMO: NSF/ANSI 61, NSF/ANSI 372 & ASME A112.18.1/CSA B125.1 Certified.
- New Style Metal Handles.
- Requires 1 3/8" Hole Mounting.
- 1/4 Turn Ceramic Ecobross Cartridges.
- Maximum Flow rate is 1.2 GPM With New Low Flow Restrictor.
- Available Finishes are French Weathered Brass(**47**), Polished Chrome(**48**), Polished Brass(**55**), Polished Nickel(**56**), and Weathered Brass(**70**).
- Please see cleaning Instructions:
<http://herbeau.com/CleaningAll.pdf> For Finish Care & Maintenance Information.

Please follow example when ordering parts for ‘Lille’ Kitchen Mixer.

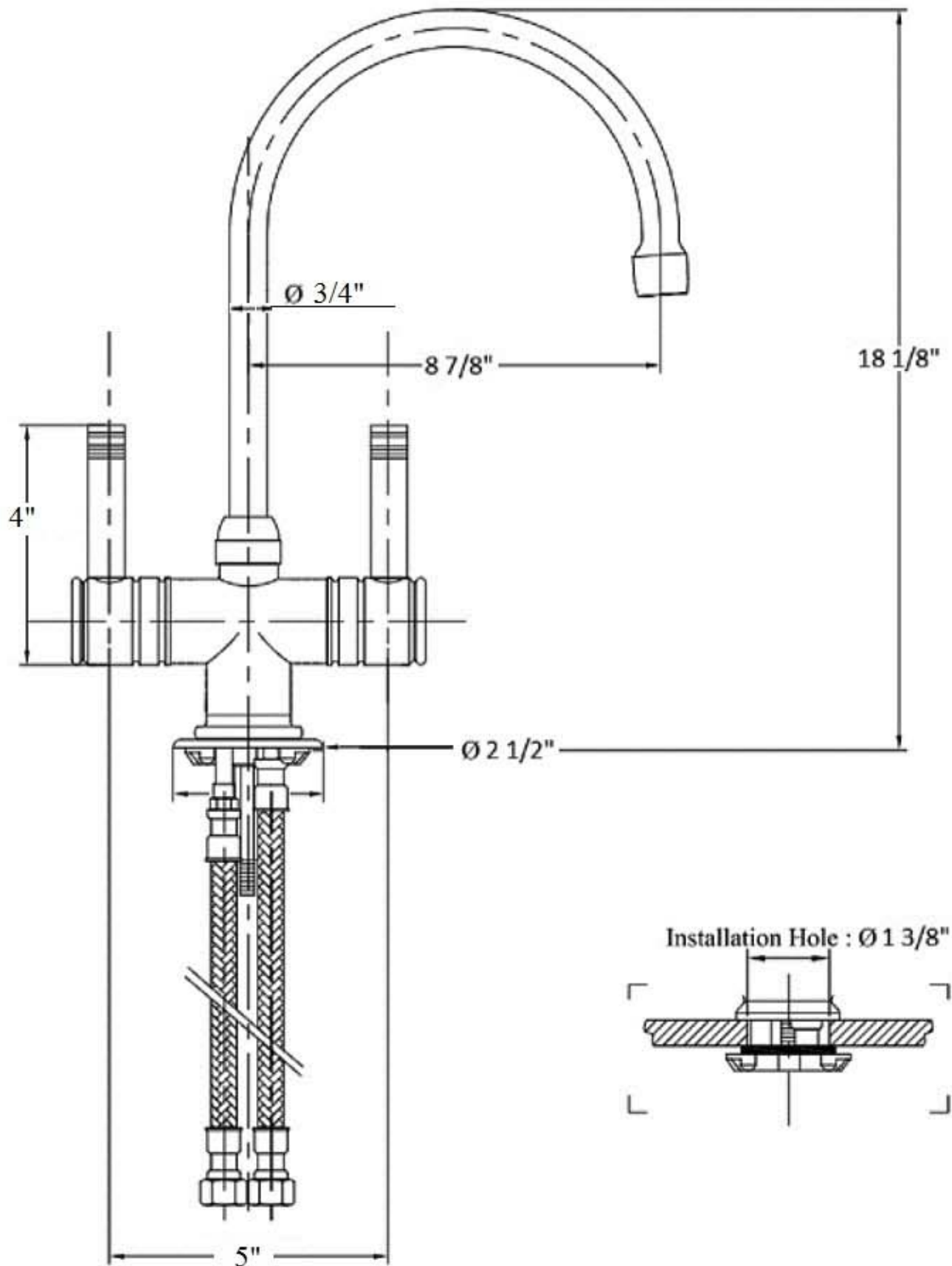
- To order part#1 – **Lille Metal Handle**
 - **950006xx**
- Please substitute finish number needed in place of **xx**.

Part #	Description
01	Lille Metal Handle
03	Escutcheon
04	Lille Spout-Ecobross
05	Lille Handle Base
06	Flat Rubber Washer
07	Nylon Clip
08	Rubber Horseshoe Washer
09	Locking Collar
10	Rubber O-Ring
11	Aerator Washer
12	Aerator Filter
13	Aerator Cover
14	Central Body-Ecobross
15	Rubber O-Ring
16	Splined Insert
17	Rubber O-Ring
18	12" X 3/8" Flexible Supply Hose With O-Ring
18	30" X 3/8" Optional Flexible Supply Hose With O-Ring
19	Rubber O-Ring
20	Threaded Stem
22	Brass Horseshoe
23	Brass Washer
24	Brass Nut
81	1/4 Turn Ceramic Cartridge-Hot-Ecobross
82	1/4 Turn Ceramic Cartridge-Cold-Ecobross



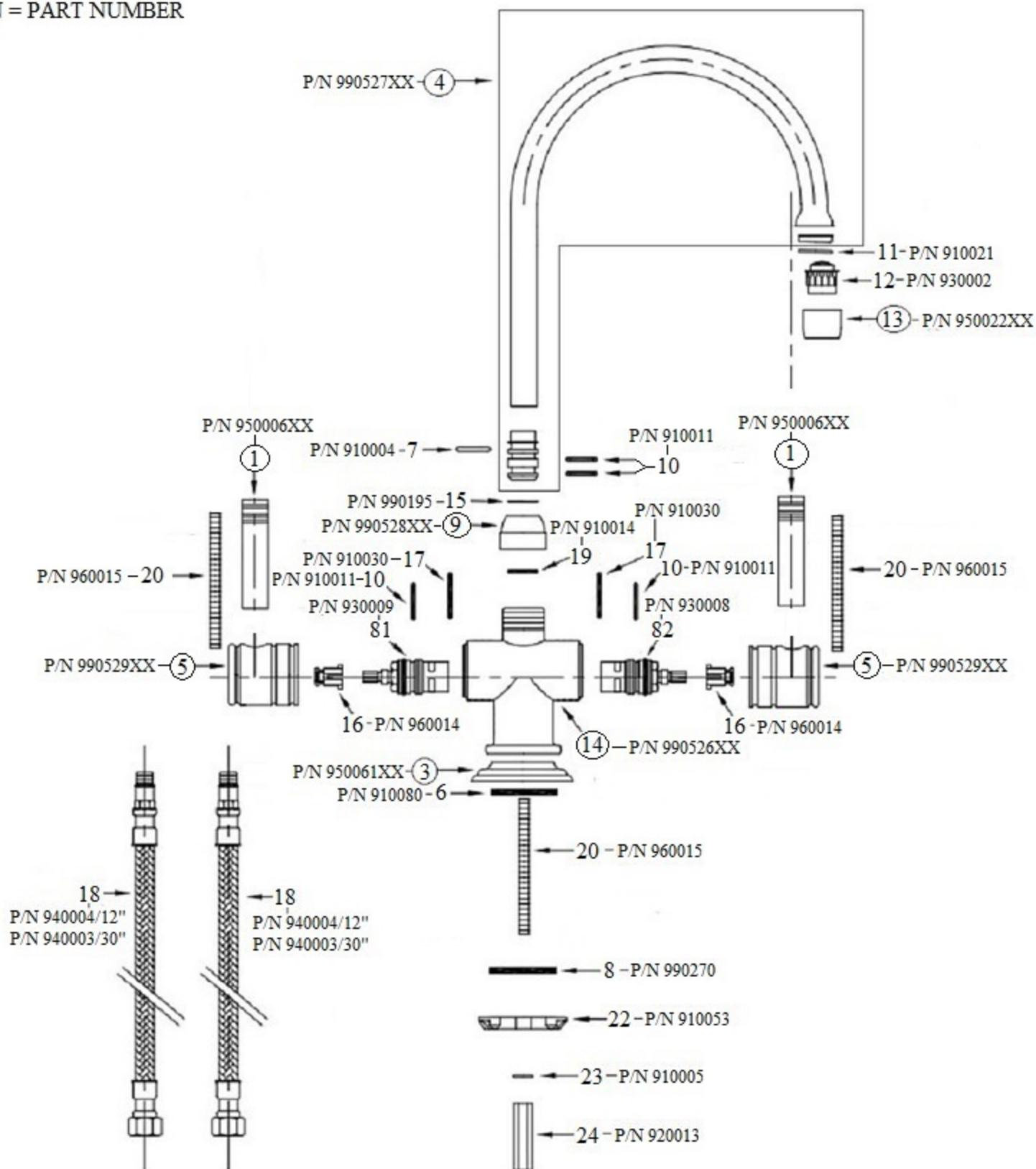
Herbeau[®]
L'Art du Sanitaire depuis 1857

4210 - 'Lille' Single Hole Kitchen Mixer



4210 - 'Lille' Single Hole Kitchen Mixer

*P/N = PART NUMBER



○ = FINISHED PARTS

XX = TWO DIGIT FINISH CODE