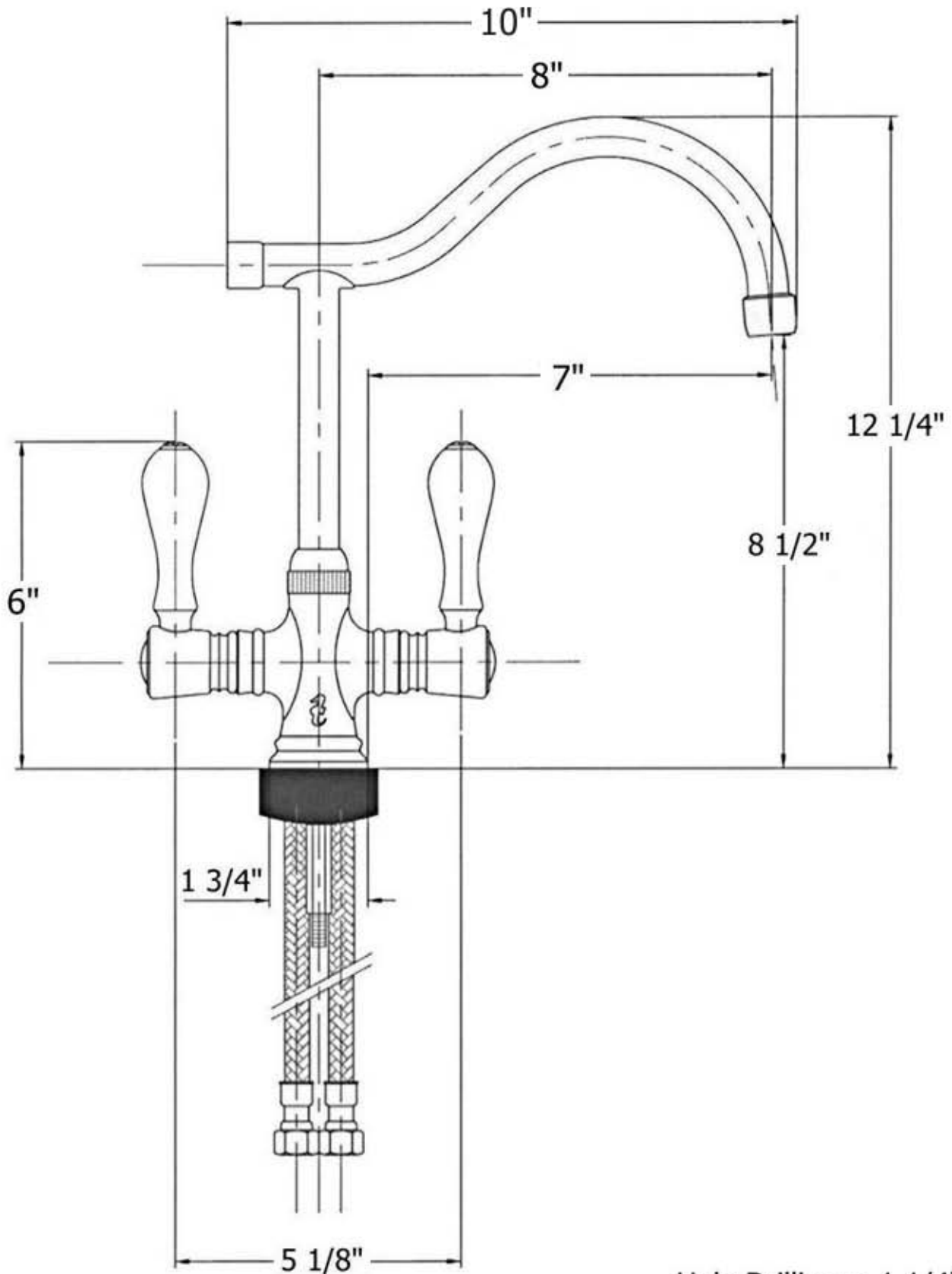


4202 - 'Ostende' Single Hole Mixer



Hole Drilling = 1 1/4"