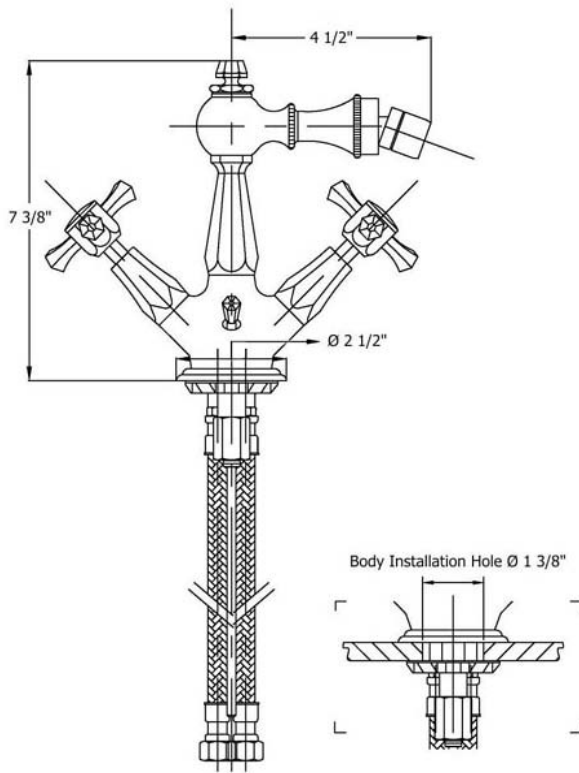


3610 - "Monarque Single-Hole Bidet Mixer with Pop-up Waste"



Part#	Description
18	Rubber O-Ring
19	Threaded Mounting Rod
20	Escutcheon
21	Flat Rubber Washer
22	Brass Horse shoe & Washer
23	Brass Nut
24	3/8" X 12" Flexible Supply Hose & O-Ring
25	Monarque Pop-Up Rod Knob
26	Finished Pop-Up Rod
27	Pop-Up Assembly Only
27'	Horizontal Brass Rod & Connector For Pop-Up Assembly
28	Handle Screw
29	Brass Washer

Technical Information

- Requires 1 1/4" hole drilling
- Flow rate is 2.2 GPM
- 3/8" flexible hoses
- Includes 1 1/4" pop-up waste
- Swiveling spout
- Available finishes are Polished Chrome(48), Solibrass(49), Old Gold(52), Old Silver(53), Polished Brass(55), Polished Nickel(56), Brushed Nickel(57), Satin Nickel(60), and Weathered Brass(70)
- Please see cleaning instructions for finish care and maintenance information

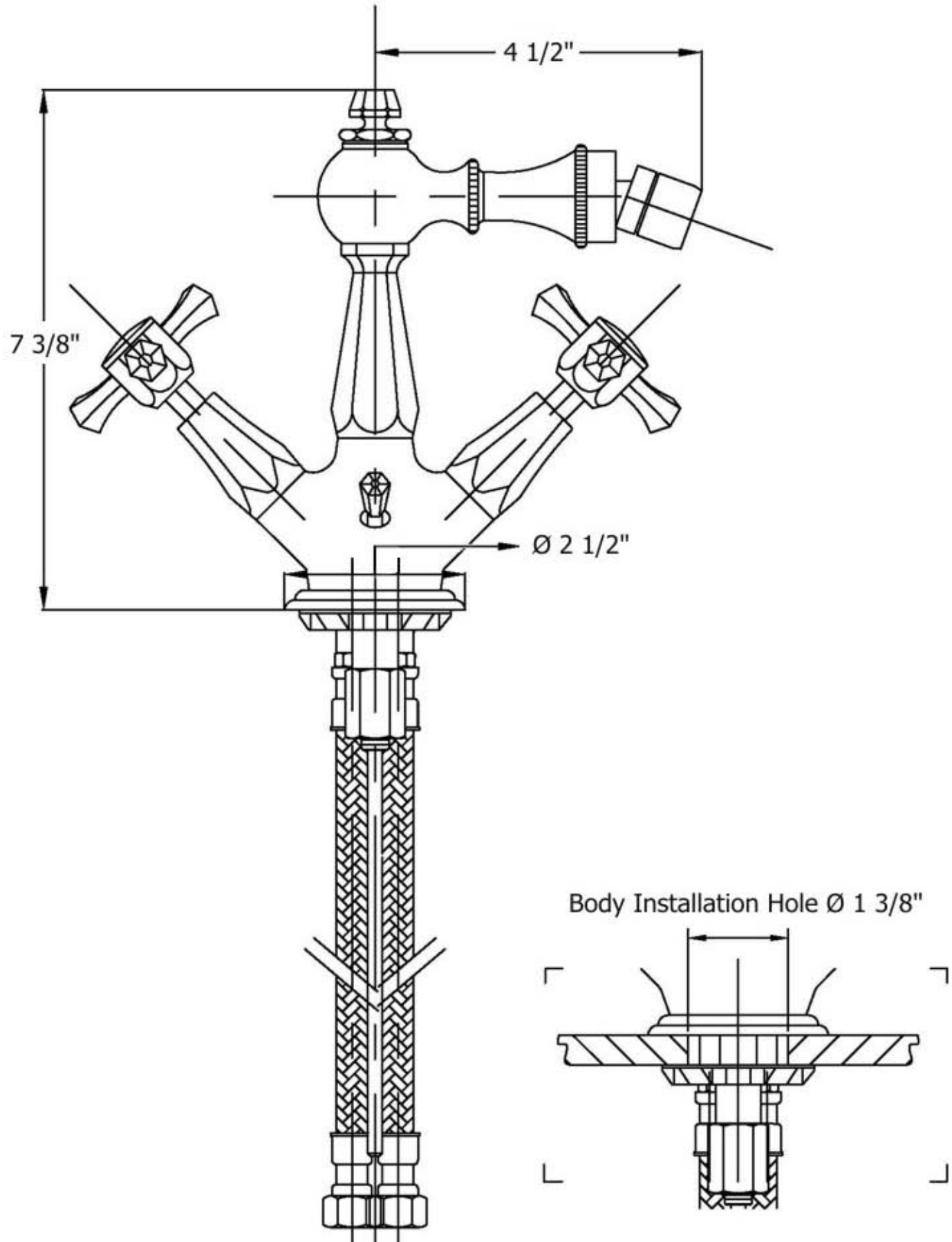
Part#	Description
01	Monarque Top Knob
02	Finished Washer
03	Monarque Bidet Spout
04	Spout Swivel Assembly
05	Aerator Filter
06	Aerator Cover/Spout Tip
07	Aerator Washer
08	Spout O-Ring
09	Monarque Bidet Upper Body
10	Monarque Bidet Lower Body
11	1/2 Turn Ceramic Cartridge
12	Finished Cartridge Cover
13	Handle Stem
14	Monarque Handle Center
15	Monarque Horizontal Handle Stem
16	Monarque Indice Insert
17	Ceramic Indice

Please follow example when ordering parts for 'Monarque' Single hole bidet Mixer

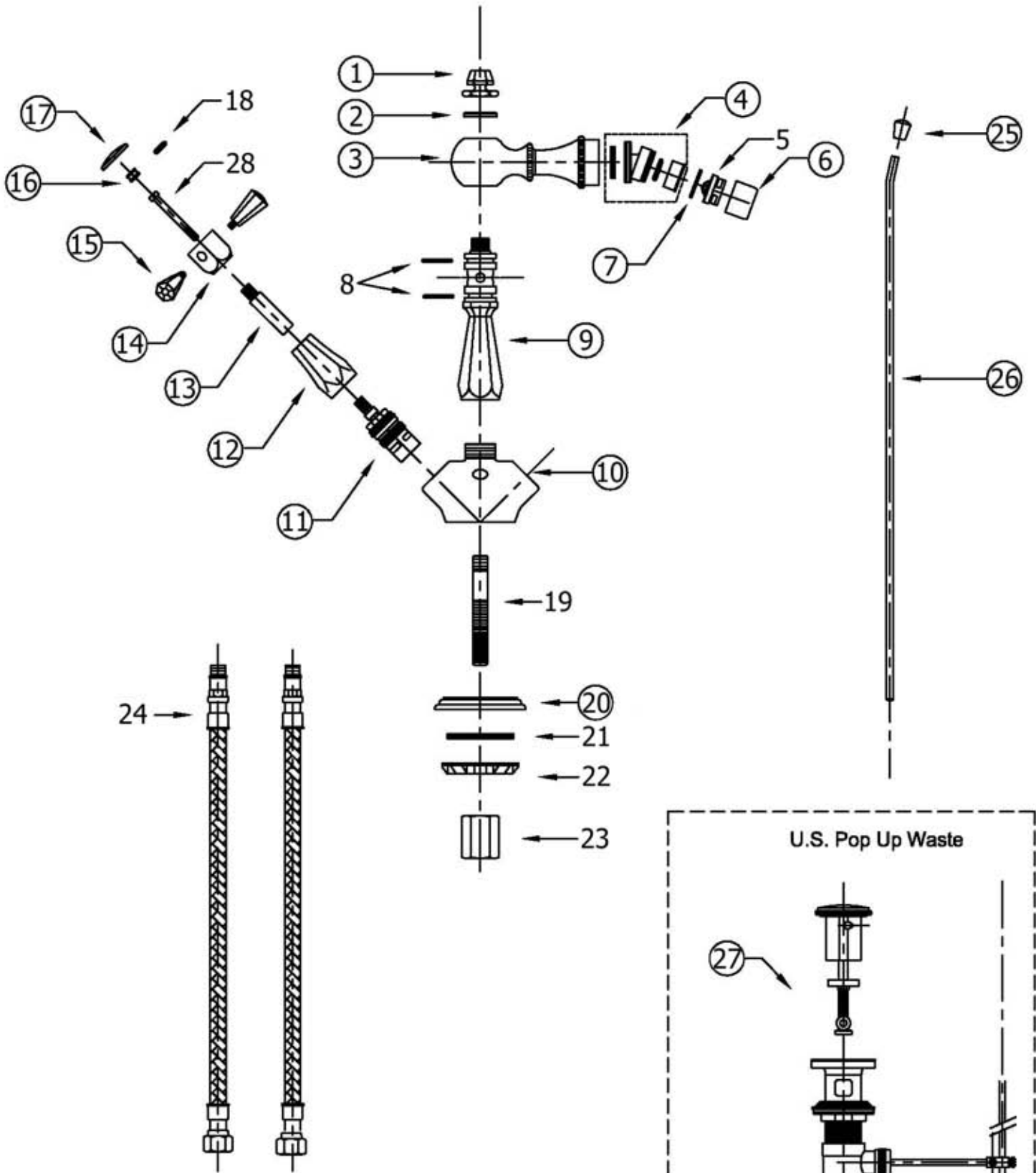
- To order part #01 – Top Knob
 - 9361001 xx
- Please substitute finish number needed in place of **XX**.
- To order a part that is not finished use **00**



3610 - 'Monarque' Single-Hole Bidet Mixer with Pop-up Waste



3610 - 'Monarque' Single-Hole Bidet Mixer with Pop-up Waste



○ Polished pieces.