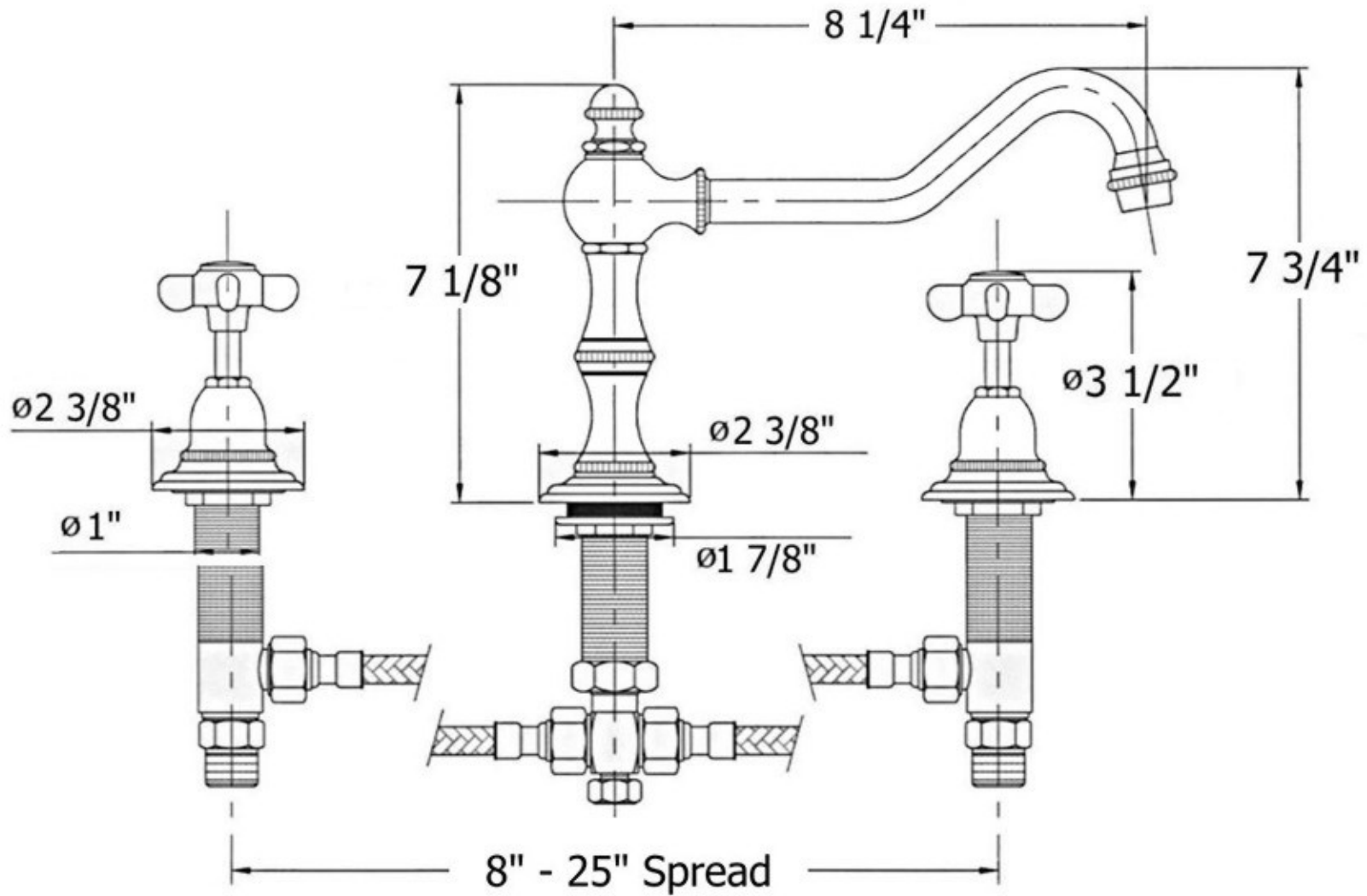


3021 - 'Royale' Three Hole Kitchen Mixer



Hole Drilling = $1 \frac{1}{4}''$