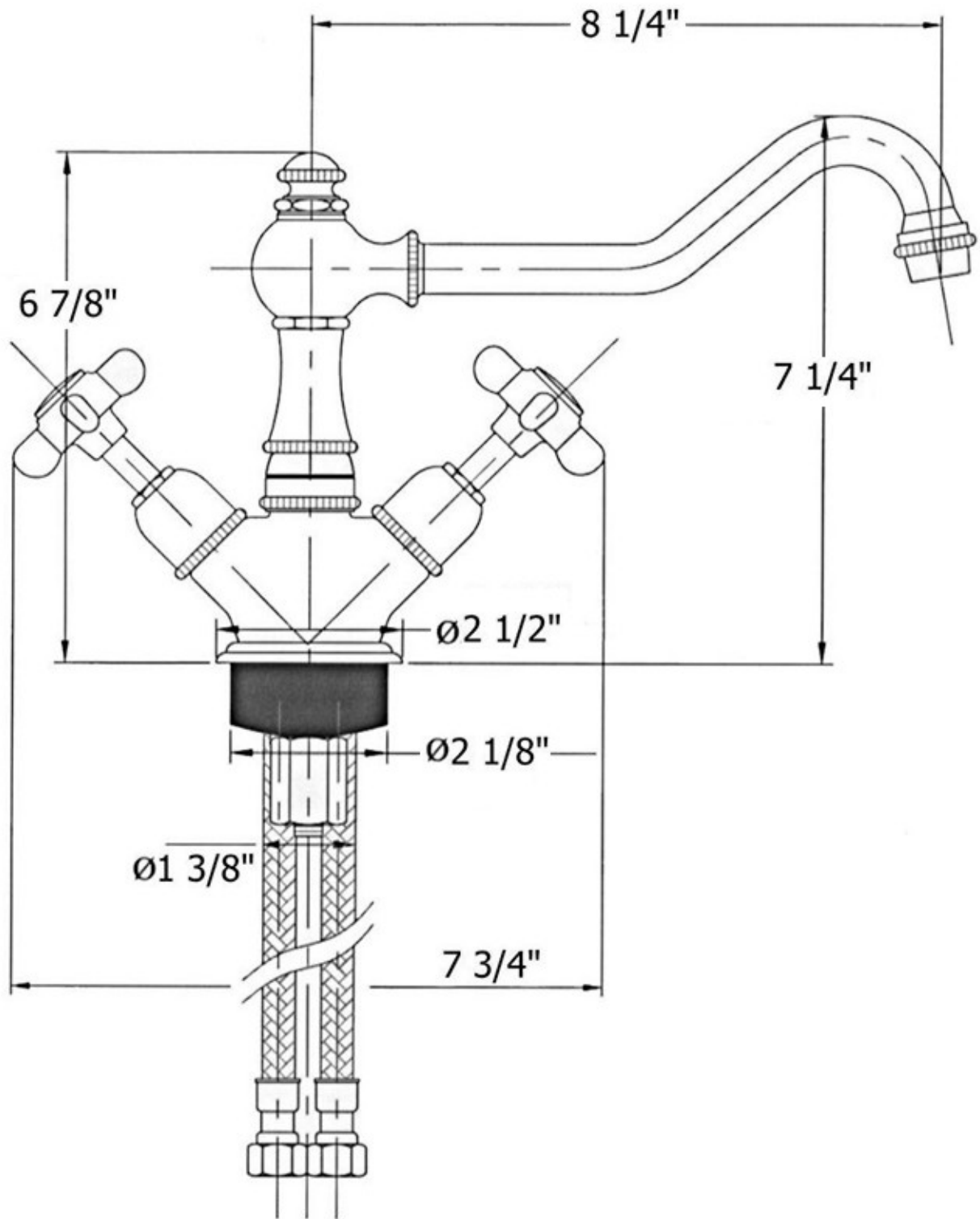


3020 - 'Royale' Single Hole Kitchen Mixer



Hole Drilling = $1 \frac{1}{4}''$