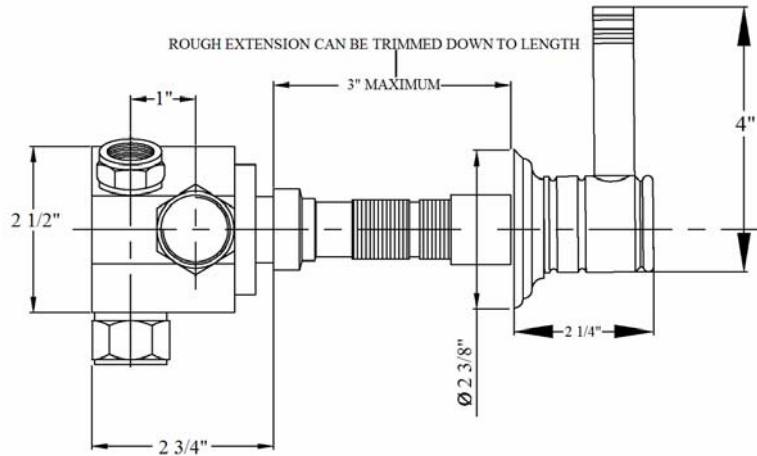


2863 – ‘Lille’ Wall Mounted 4-Port Diverter Valve



Part #	Description
01	Diverter Cartridge
02	1/2" Brass Adapter
03	Brass Hexagon Tube
04	Brass Extension
03+04	Optional 6" Extension Kit
05	Rubber O-Ring
06	Wall Escutcheon
07	Inner Trim Housing
08	Lille Handle Base
09	3/4" Adapter
10	Lille Metal Handle
11	Splined Insert
12	Threaded Stem
16	Flat Washer

Technical Information

- IAPMO: NSF/ANSI 61, NSF/ANSI 372 & ASME A112.18.1/CSA B125.1 (CEC)-2012 - Mechanical Plumbing Products Program Certified.
- New Style Metal Handle.
- Two 3/4" Female Inlets
- One 3/4" Female Outlet.
- One 1/2" Female Outlet.
- Switches Between Two Peripherals.
- Available Finishes are French Weathered Copper(46), French Weathered Brass(47), Polished Chrome(48), Solibrass(49), Lacquered Matte Black nickel(50), Old Gold(52), Old Silver(53), Polished Brass(55), Polished Nickel(56), Brushed Nickel(57), Satin Nickel(60), Antique Lacquered Copper(67), Antique Lacquered Brass(68), Weathered Brass(70), Lacquered Polished Black Nickel(71) and Lacquered Polished Copper(80).
- Please see cleaning Instructions:
<http://herbeau.com/CleaningAll.pdf> For Finish Care & Maintenance Information.

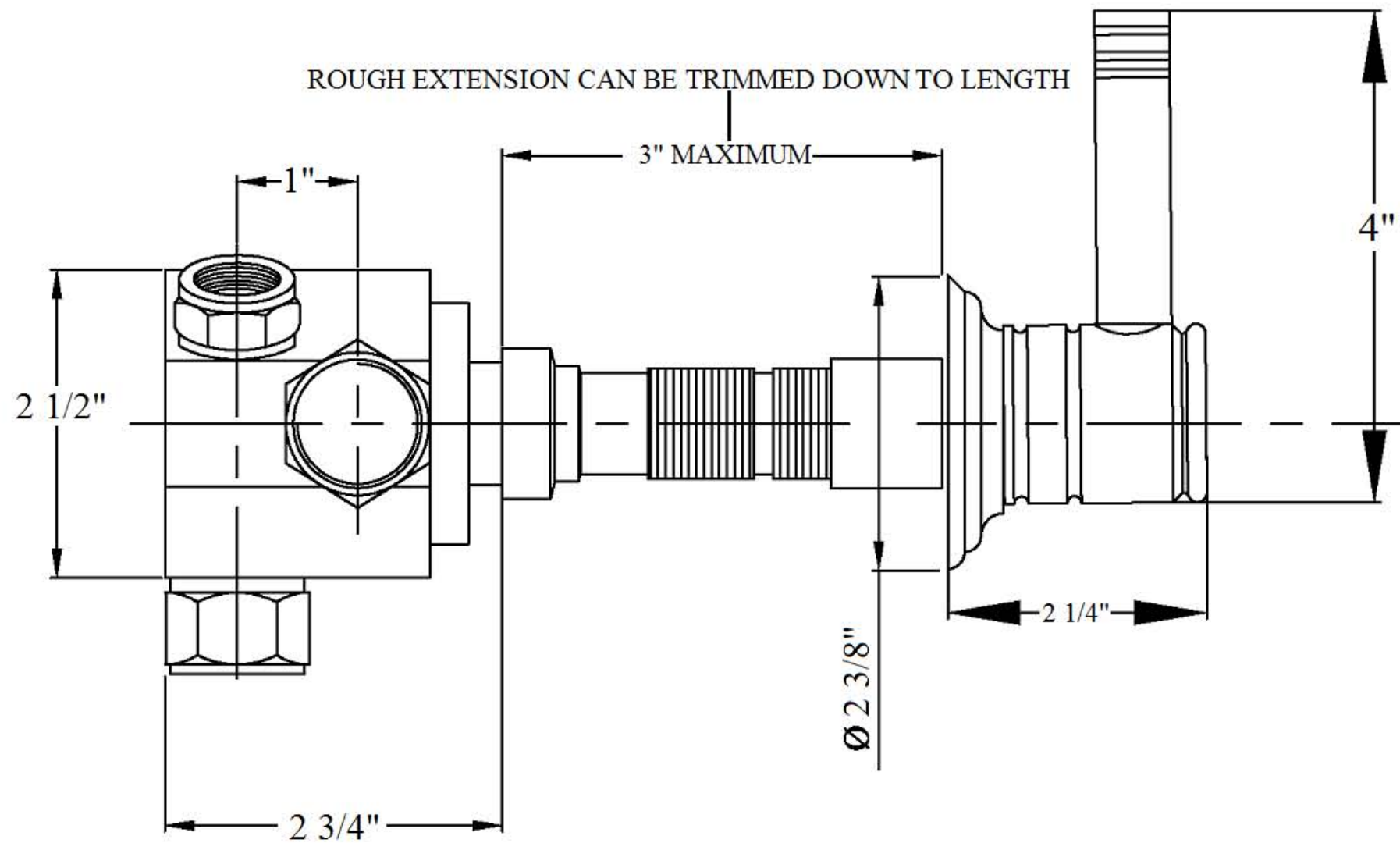
Please follow example when ordering parts for ‘Lille’ Wall Diverter.

- To order part#10 – **Lille Metal Handle**
 ○ **950006xx**
- Please substitute finish number needed in place of **xx**.



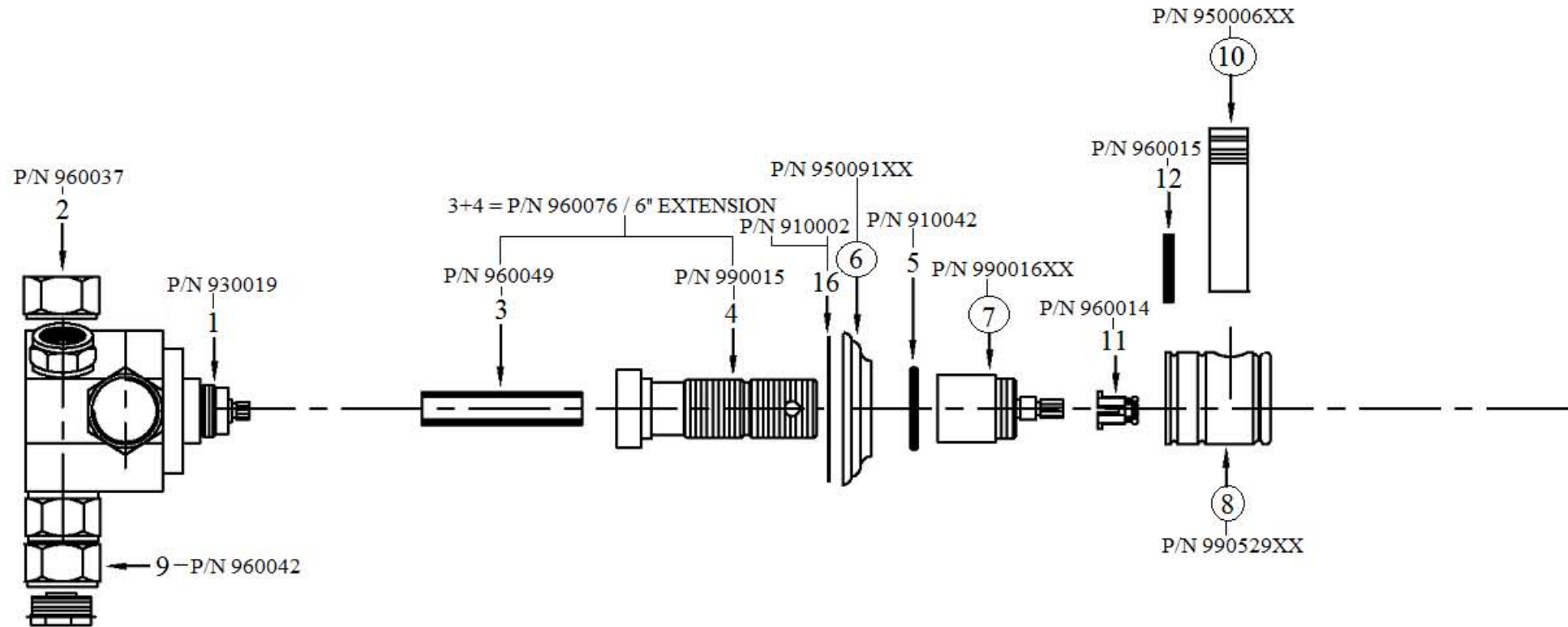
Herbeau[®]
L'Art du Sanitaire depuis 1857

2863 - 'Lille' Wall Mounted 4-Port Diverter



2863 - 'Lille' Wall Mounted 4-Port Diverter

*P/N = PART NUMBER



○ = FINISHED PART

XX = TWO DIGIT FINISH CODE