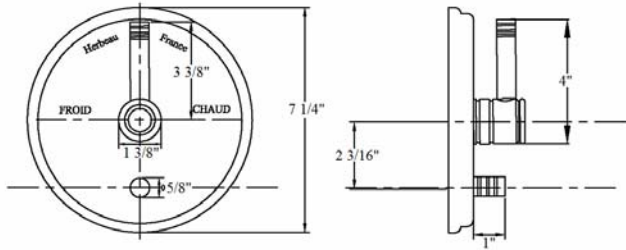


2850 – ‘Lille’ Pressure Balance Valve Trim



Part #	Description
01	Mounting Plate
02	Slotted Screw
03	Lille Wall Plate
04	Handle Stem
05	Small Lille Handle
06	Handle Screw
07	Splined Insert
08	Threaded Stem
09	Lille Metal Handle
10	Lille Handle Base

Technical Information

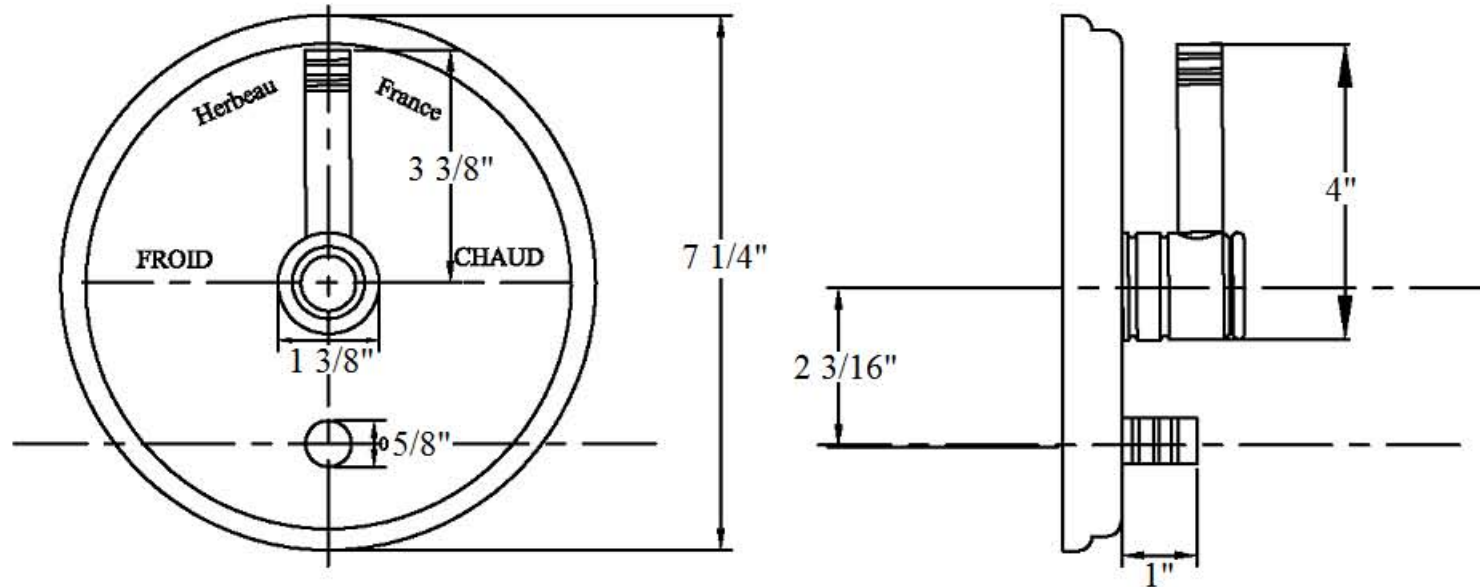
- Controls Temperature and Volume.
- For 1/2" Valve.
- Available Finishes are French Weathered Brass(**47**), Polished Chrome(**48**), Solibrass(**49**), Lacquered Matte Black Nickel(**50**), Old Gold(**52**), Old Silver(**53**), Polished Brass(**55**), Polished Nickel(**56**), Brushed Nickel(**57**), Satin Nickel(**60**), Antique Lacquered Copper(**67**), Antique Lacquered Brass(**68**), Weathered Brass(**70**), Lacquered Polished Black Nickel(**71**) and Lacquered Polished Copper(**80**).
- Please see cleaning Instructions:
<http://herbeau.com/CleaningAll.pdf> For Finish Care & Maintenance Information.

Please follow example when ordering parts for Lille Pres. Bal. Trim.

- To order part#05 – **Small Lille Handle**
 - **990655xx**
- Please substitute finish number needed in place of **xx**.

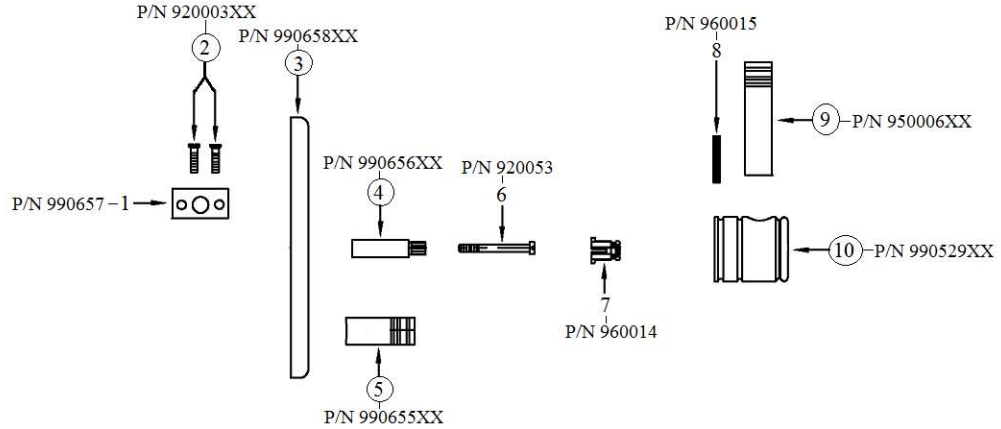


2850 - 'Lille' Pressure Balance Valve Trim



2850 - 'Lille' Pressure Balance Valve Trim

*P/N = PART NUMBER



○ = FINISHED PARTS

XX = TWO DIGIT FINISH CODE