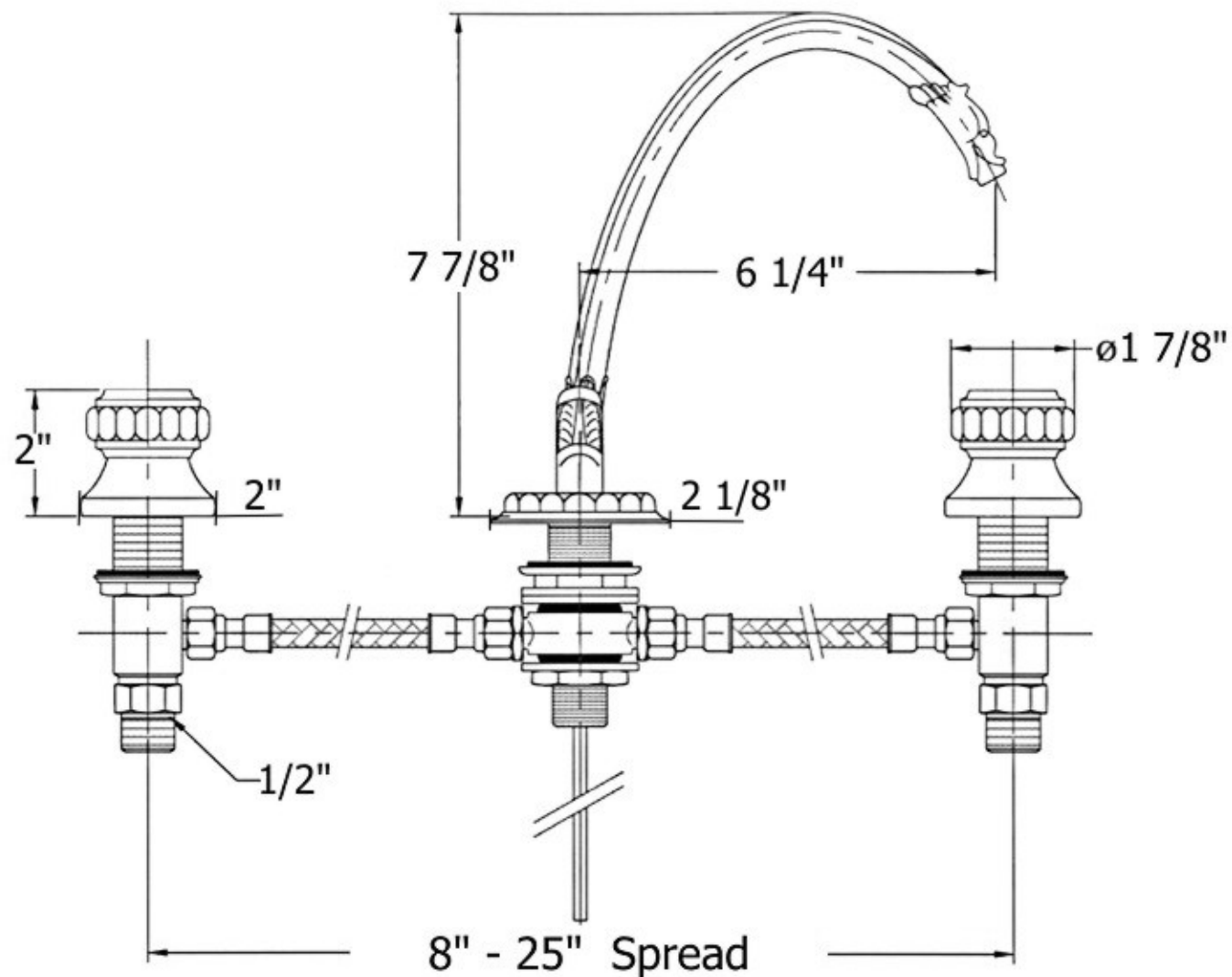


# 2232 - 'Pompadour' Widespread Lavatory Set



Hole Drilling =  $1 \frac{1}{4}$ "