

Product Features

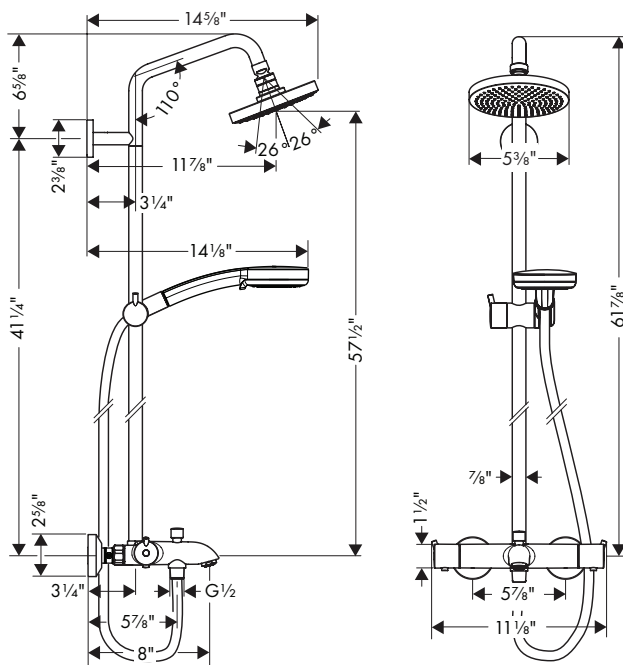
- Exposed anti-scald thermostatic mixer with volume control / diverter for showerhead and tub filler
- Diverter for handshower
- Raindance S 150 1-jet showerhead, 2.0 GPM
- Croma E 100 Green AIR handshower, 1.75 GPM
- 80" Techniflex handshower hose
- Handshower holder is height and angle adjustable
- Protection against backflow provided by check valves
- Tub filler flow rate 5.5 GPM @ 44 PSI
- Includes service stops

Available Finishes

Chrome	27143001
Brushed Nickel	27143821

Required Accessories

Exposed Thermostatic Basic Set	16181181
--------------------------------	----------



The measurements shown are for reference only.

Products and specifications shown are subject to change without notice.

Specification sheet revised 05/2012