

Product Features

- Single control operation
- Ceramic M2 cartridge with Boltic handle lock
- Includes pop-up drain
- Flow rate 1.5 GPM

Code Compliance

This unit meets or exceeds the following:

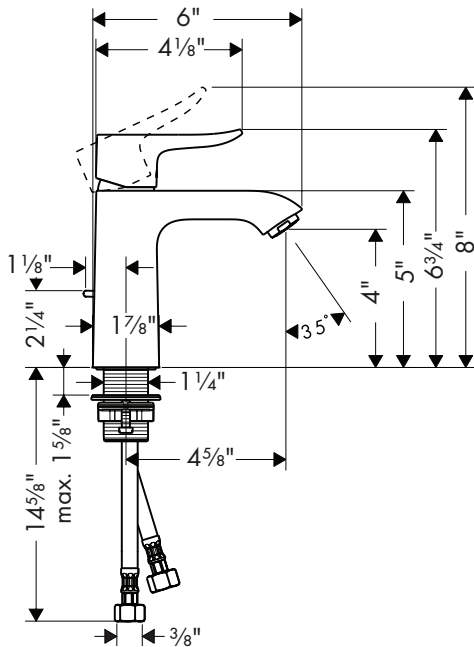
- ADA compliant

Available Finishes

Chrome	31080001
Brushed Nickel	31080821

Optional Accessories

Baseplate	14018xx0
-----------	----------



The measurements shown are for reference only.

Products and specifications shown are subject to change without notice.

Specification sheet revised 03/2012