

## Product Features

- Single control operation
- M2 Ceramic cartridge
- Flow rate 1.5 GPM
- Includes pop-up drain

## Code Compliance

This unit meets or exceeds the following:

- ADA compliant

## Available Finishes

Chrome

04371000

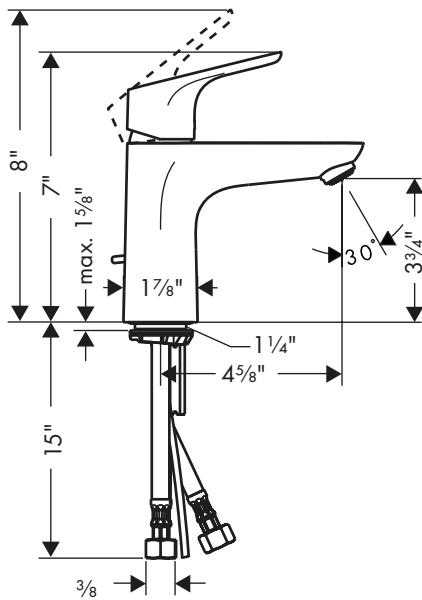
Brushed Nickel

04371820

## Optional Accessories

Baseplate

14018xx1



The measurements shown are for reference only.

Products and specifications shown are subject to change without notice.

Specification sheet revised 03/2012