

Product Features

- Single control operation
- M2 Ceramic Cartridge
- Flow rate 1.5 GPM
- Includes pop-up drain

Code Compliance

This unit meets or exceeds the following:

- ADA compliant

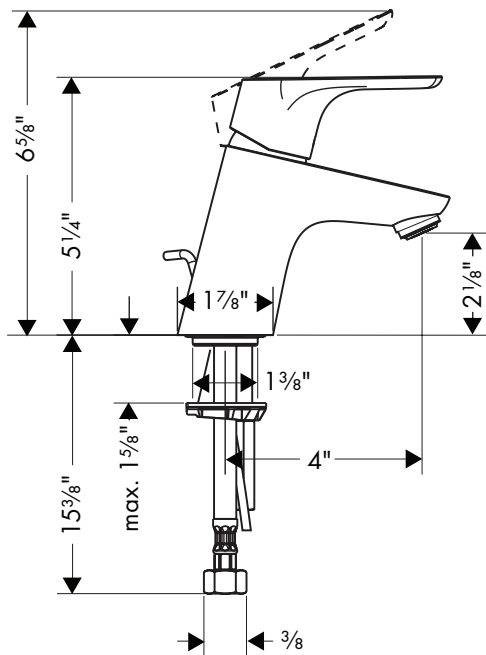
Available Finishes

Chrome

04370000

Brushed Nickel

04370820



The measurements shown are for reference only.

Products and specifications shown are subject to change without notice.

Specification sheet revised 10/2011