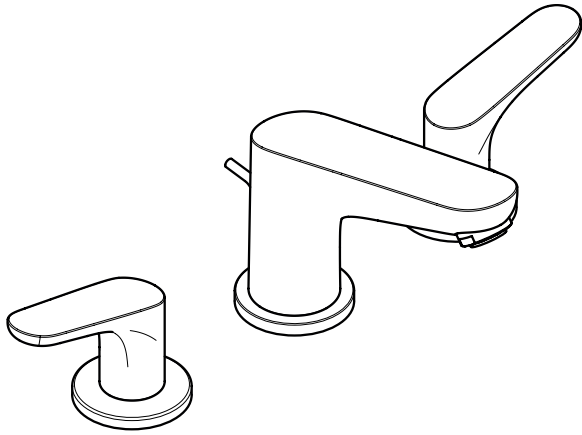


Focus E Single Widespread Lavatory Faucet

04369xx0



Product Features

- Two-handle operation
- 90° Ceramic cartridges
- Flow rate 1.5 GPM
- Includes pop-up drain

Code Compliance

This unit meets or exceeds the following:

- ADA compliant

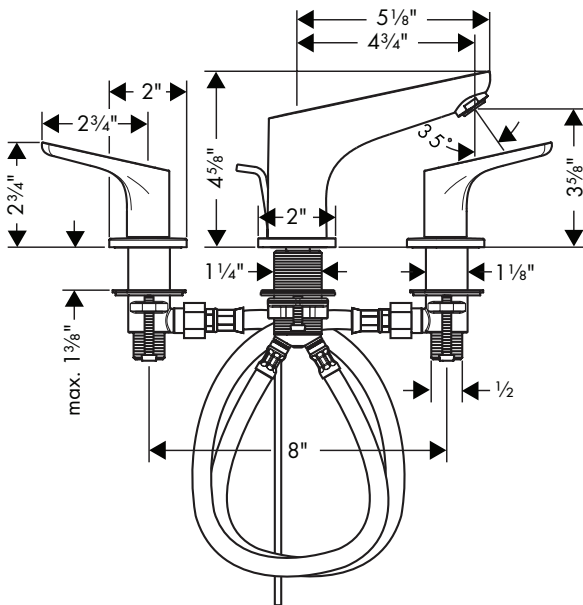
Available Finishes

Chrome

04369000

Brushed Nickel

04369820



The measurements shown are for reference only.

Products and specifications shown are subject to change without notice.

Specification sheet revised 10/2011

hansgrohe