

Product Features

- Lever handle

Code Compliance

This unit meets or exceeds the following:

- ADA compliant

Available Finishes

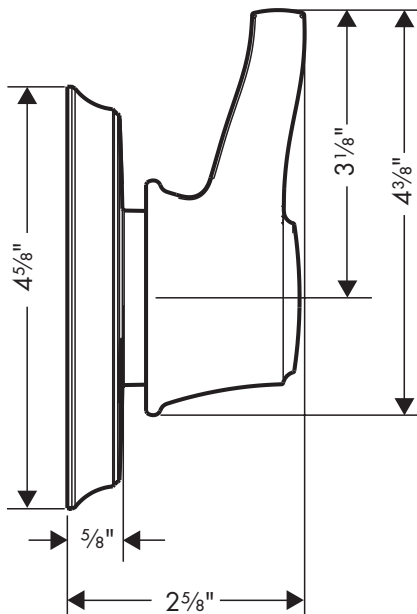
Chrome	15934001
Brushed Nickel	15934821
Polished Nickel	15934831
Rubbed Bronze	15934921

Required Accessories

Quattro rough	15930181
Trio rough	15984181

Optional Accessories

1" Extension set	96370000
------------------	----------



The measurements shown are for reference only.

Products and specifications shown are subject to change without notice.

Specification sheet revised 07/2011