

Product Features

- Solid brass
- Dual-threaded mounting piece: 1/2" NPT female, 3/4" NPT male

Code Compliance

This unit meets or exceeds the following:

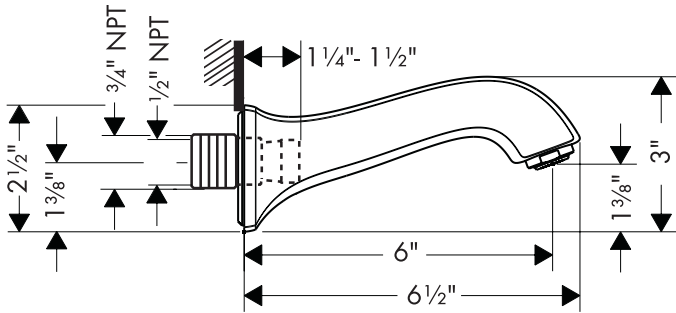
- ASME A112.18.1 / CSA B125.1
- Listed by IAPMO

Available Finishes

Chrome	14413001
Oil Rubbed Bronze	13413621
Brushed Nickel	14413821
Polished Nickel	14413831
Rubbed Bronze	14413921

Installation Notes

- Requires either 3/4" NPT female or 1/2" NPT male fitting, recessed 3/8" behind surface of finished wall



The measurements shown are for reference only.

Products and specifications shown are subject to change without notice.

Specification sheet revised 10/2010