

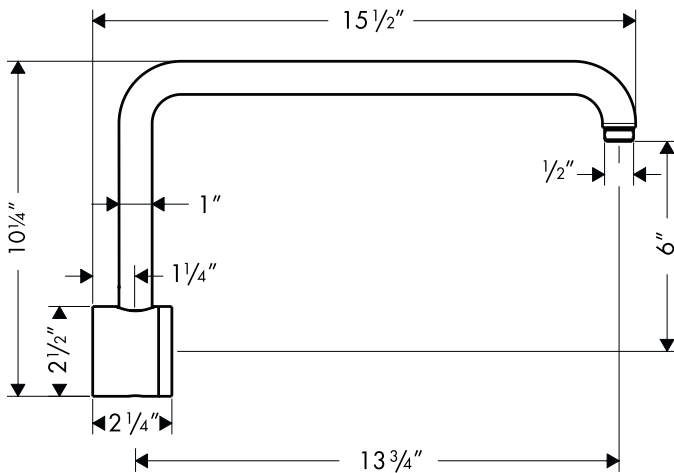
## Product Features

- Solid brass
- ½" NPT female inlet
- 90° bend
- Arm swivels left and right
- Includes escutcheon

## Code Compliance

This unit meets or exceeds the following:

- ASME A112.18.1
- CSA B125.1
- Listed by IAPMO



## Available Finishes

Chrome

06476000

Brushed Nickel

06476820

The measurements shown are for reference only.

Products and specifications shown are subject to change without notice.

Specification sheet revised 7/2009