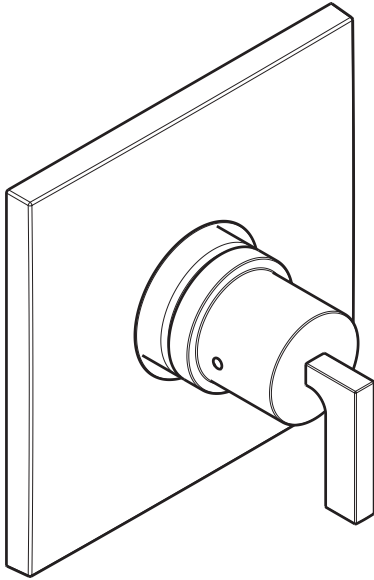


Axor Citterio Pressure Balance Trim

39414xx1



Product Features

- Lever handle
- 6.5 GPM @ 44 PSI

Code Compliance

This unit meets or exceeds the following:

- ASME A112.18.1
- CSA B125.1
- ASSE 1016
- Listed by IAPMO

Available Finishes

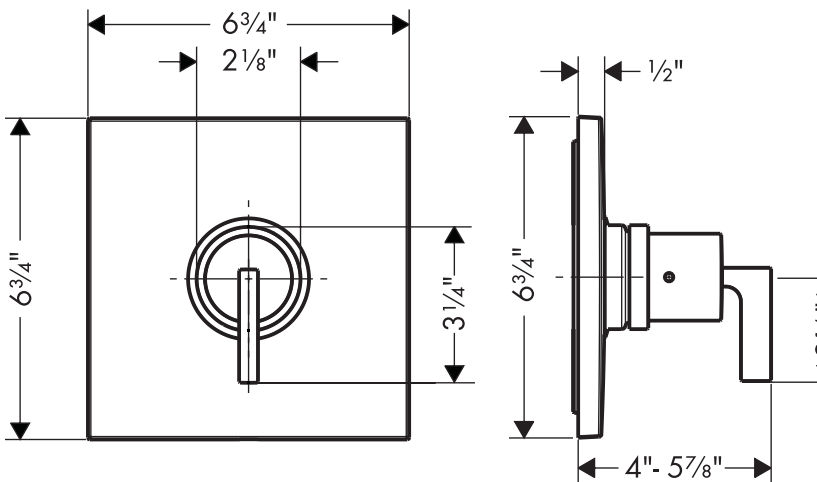
Chrome	39414001
Brushed Nickel	39414821

Required Accessories

iBox Universal Plus	01850181
---------------------	----------

Optional Accessories

Extension (shallow rough-in) kit	97407xx0
Extension (deep rough-in) kit	13595000



The measurements shown are for reference only.

Products and specifications shown are subject to change without notice.

Specification sheet revised 2/2012