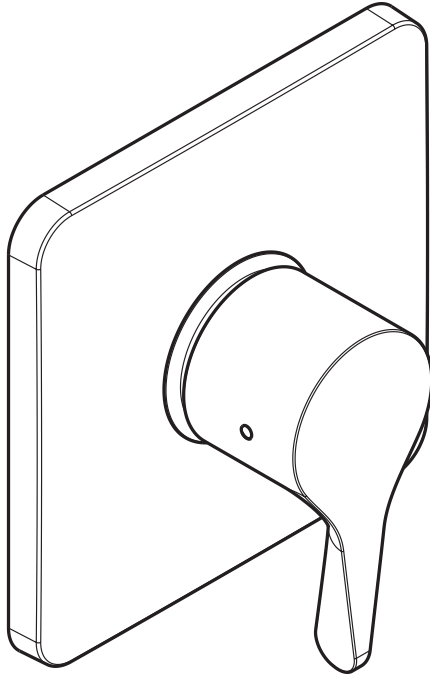


# Axor Citterio M Pressure Balance Trim

34808xx1



## Product Features

- Lever handle
- 6.5 GPM @ 44 PSI

## Code Compliance

This unit meets or exceeds the following:

- ASME A112.18.1
- CSA B125.1
- ASSE 1016
- Listed by IAPMO

## Available Finishes

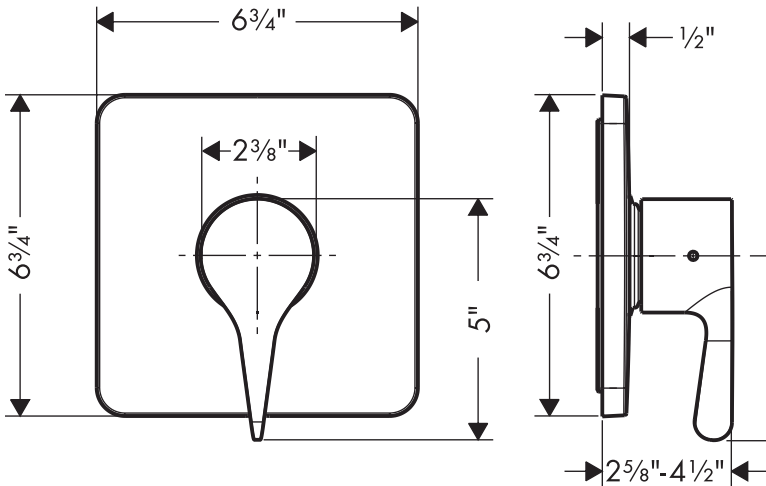
Chrome	34808001
Brushed Nickel	34714821

## Required Accessories

iBox Universal Plus Rough	01850181
---------------------------	----------

## Optional Accessories

Extension (deep rough-in) kit	13595000
Extension (shallow rough-in) kit	98860xx0



The measurements shown are for reference only.

Products and specifications shown are subject to change without notice.

Specification sheet revised 2/2012