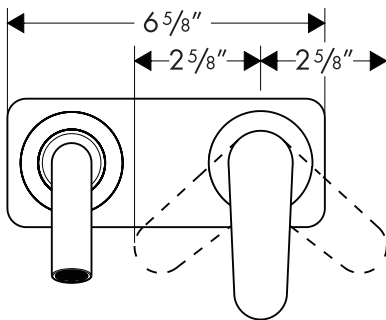
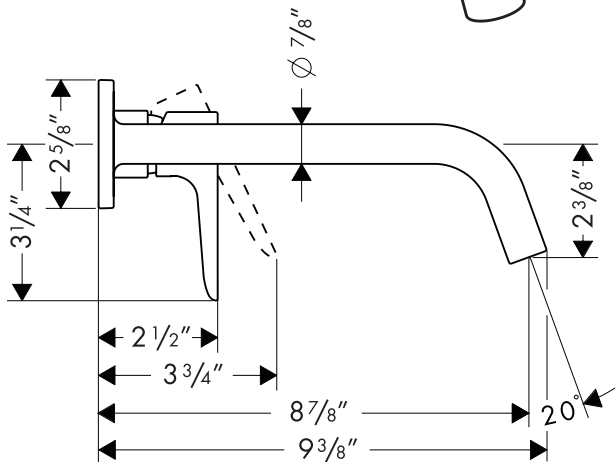
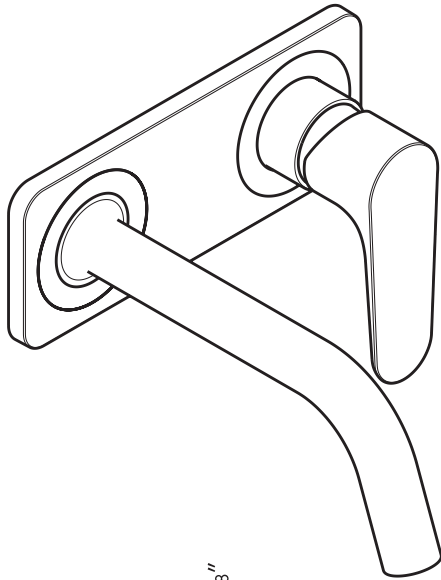


Axor Citterio M Wall-Mount Single Control Lavatory Faucet

34115001



The measurements shown are for reference only.

Products and specifications shown are subject to change without notice.

Specification sheet revised 1/2008

Product Features

- 9" spout
- With plate
- Ceramic cartridge operation
- 2.2 gpm

Code Compliance

This unit meets or exceeds the following:

- ADA

Available Finishes

Chrome

34115001

Required Accessories

Rough

34111180

Optional Accessories

Grid drain

06400000