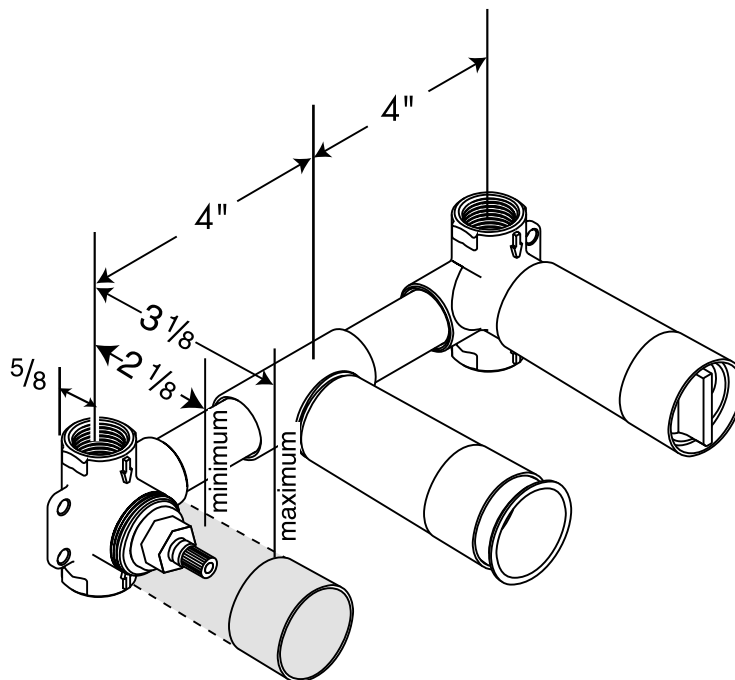


Wall-Mount Lavatory Rough 10303181



Product Specification

Required trim kit specified separately:

- 10313XX1 Starck
- 37313XX1 Terrano (cross handles)
- 37315XX1 Terrano (lever handles)
- 38043XX1 Uno

Trim kits do not include drains.

Maximum Incoming Water Pressure	145 PSI
Recommended Incoming Water Pressure	45-72 PSI
Recommended Incoming Hot Water Temperature	120° - 140° F*
Nominal Capacity at 45 PSI	2.2 GPM

When determining mounting height, follow all applicable local codes regarding the required air gap between the end of the spout and the flood level of the lavatory.

*Some governing bodies require that the water heater be set to 120° F or less. Please know and follow all applicable local codes when setting the temperature on the water heater.