

Talis S
Talis S 100 Single-Hole Faucet
 Finishes : **Brushed Nickel** Part no. : **72020821**



Description

Features

- Solid brass
- Aerated spray
- Flow: 1.2 GPM
- Ceramic cartridge
- Includes pop-up assembly

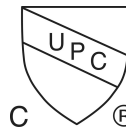
Item details

List Price \$ 286.00

Technology



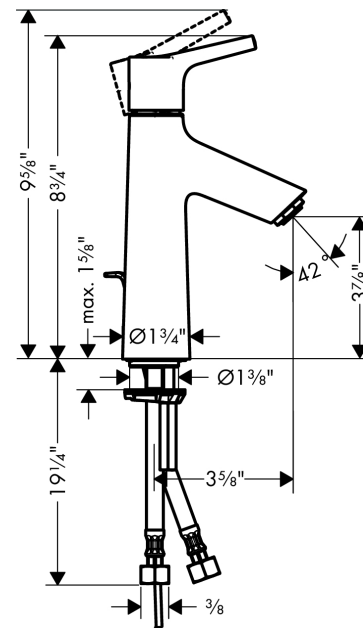
Compliance



Product image



Scale drawing

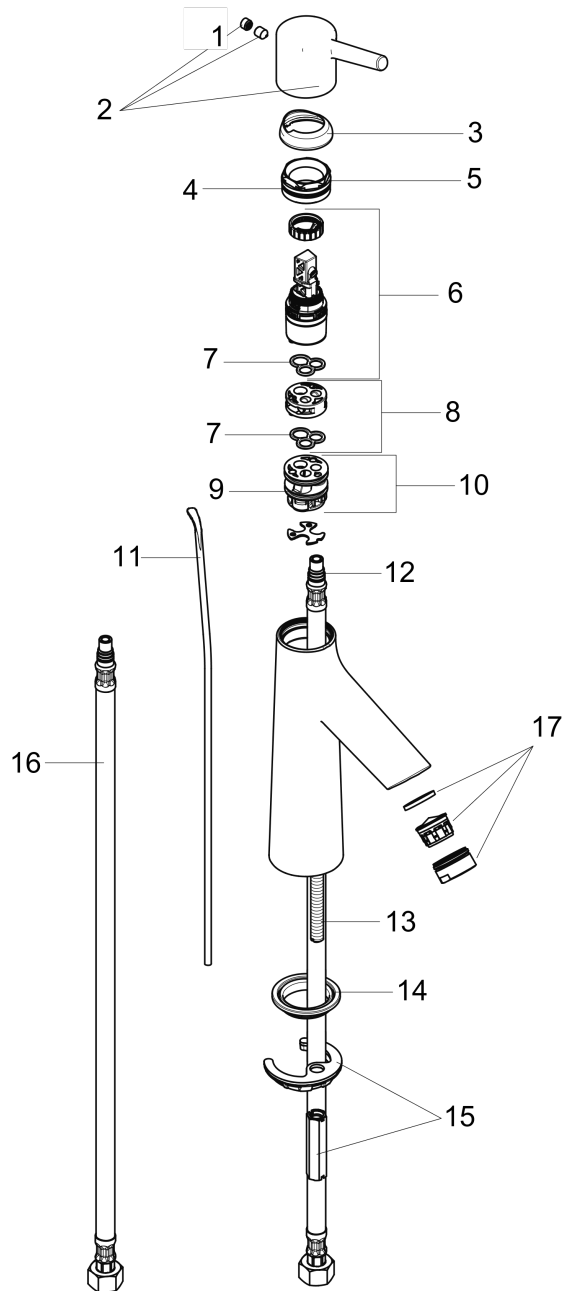


Talis S
Talis S 100 Single-Hole Faucet
Finishes : **Brushed Nickel** Part no. : **72020821**



Exploded drawing

Year of production: >08/16



Talis S

Talis S 100 Single-Hole Faucet

Finishes : **Brushed Nickel** Part no. : **72020821**



Spare parts list

Year of production: >08/16

Pos.	Description	Part no.	Price	PU
1	screw cover	95704000	-	1
2	handle	92626820	-	1
3	flange	92625820	-	1
4	O-ring 27x1,5	92527000	-	1
5	nut	92627000	-	1
6	cartridge, assy	95973001	-	1
7	seal	98865000	-	1
8	adapter for cartridge	92628000	-	1
9	O-ring 23x2	98398000	-	1
10	adapter for cartridge	98866000	-	1
11	pull rod	96657820	-	1
12	O-ring 7x1,5	98422000	-	1
13	screw M8 x 68	97736000	-	1
14	seal Ø 42	98722000	-	1
15	fixing set	96016000	-	1
16	connection hose 18½" M8x0,75 3/8"	96321001	-	1
17	aerator M24x1 (4,5 l/min)	92877820	-	1
a	pop up waste	88509820	-	1