

Allegro N Bar Faucet, 1.75 GPM

Finishes : **chrome** Part no. : **71845001**



Description

Features

- Swivel range 360°
- Laminar spray
- Single-hole installation
- Flow: 1.75 GPM (6.6 L/Min)
- Ceramic cartridge
- 3/8" hoses

Item details

List Price \$ 380.00

Technology



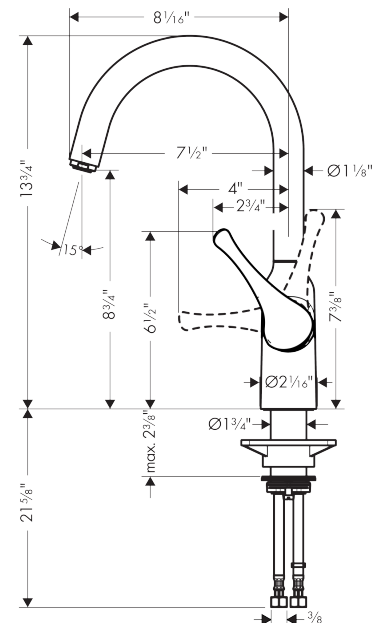
Compliance



Product image



Scale drawing

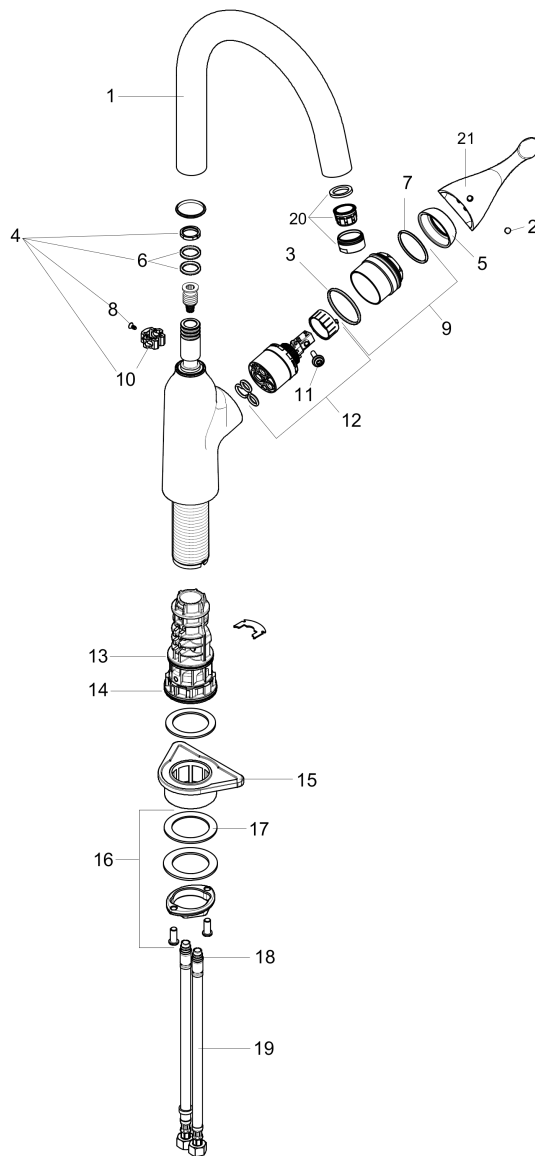


Allegro N
Bar Faucet, 1.75 GPM
 Finishes : **chrome** Part no. : **71845001**



Exploded drawing

Year of production: >06/19



Allegro N

Bar Faucet, 1.75 GPM

Finishes : **chrome** Part no. : **71845001**



Spare parts list

Year of production: >06/19

Pos.	Description	Part no.	Price	PU
1	spout cpl.	93347000	-	1
2	screw cover	96338000	-	1
3	O-ring 36x2	98156000	-	1
4	sealing set	92646000	-	1
5	flange	97406000	-	1
6	O-Ring 14x2,5	98189000	-	1
7	O-Ring 32x2	98193000	-	1
8	screw	97662000	-	1
9	nut	93346000	-	1
10	axialring	97558000	-	1
11	locking screw for handle	95140000	-	1
12	cartridge, assy	92730000	-	1
13	O-ring 38x2	98396000	-	1
14	O-ring 44x2,5	98162000	-	1
15	support	97523000	-	1
16	fixing set (Ø 34)	93253000	-	1
17	lever collar	97548000	-	1
18	O-ring 6,6x1,6	93019000	-	1
19	connection hose 35½" M8x0,75 3/8"	96316001	-	1
20	aerator laminar	93649000	-	1
21	handle	93496000	-	1