

Features

- Solid brass frame
- Basket extends approximately 8-5/8" along each wall from corner

Codes / Standards Compliance

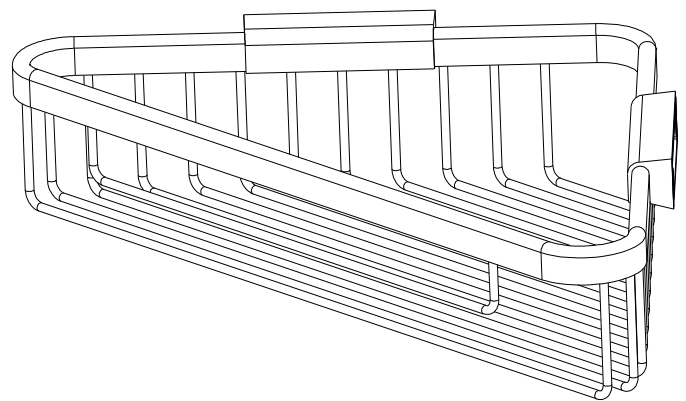
Meets or exceeds the following at date of manufacture:

- All applicable US Federal and State material regulations

Colors / Finishes

- PC: Polished Chrome
- SN: Satin Nickel
- PBPVD: Polished Brass PVD

Other: NA



Specified Model

Model	Description	Colors Finishes
554DG	Corner Basket	<input type="checkbox"/> PC <input type="checkbox"/> SN <input type="checkbox"/> PBPVD

Product Specification: Add glass type designator and "Color / Finish" suffix to Model number, below.

The Basket shall be of solid brass construction. Basket Shelf shall incorporate a triangular shape that extends approximately 8-5/8" along each wall from corner. Basket shall be Ginger Model 554DG/____ .

554DG

Product Dimensions *(units are in inches)*

