

Single Light 5381



Features

- Solid metal construction
- Single-post, single light design
- UL listed for damp locations (U.S. and Canada)
- Max. 100 Watt Type A-19 bulb (not supplied) required.
- May be installed with shade facing upward or downward
- Complements Dyad product series
- ADA Compliant

Codes / Standards Compliance

Meets or exceeds the following at date of manufacture:

- ADA & ICC/ANSI A117.1
- UL Listed
- All applicable US Federal and State material regulations

Colors / Finishes

- PC: Polished Chrome
- PN: Polished Nickel
- SN: Satin Nickel



Specified Model

Model	Description	Colors Finishes
5381	Single Light, Satin-Etched Cased Opal (3.6" Sq. Rosette) *	<input type="checkbox"/> PC <input type="checkbox"/> PN <input type="checkbox"/> SN

Replacement Parts

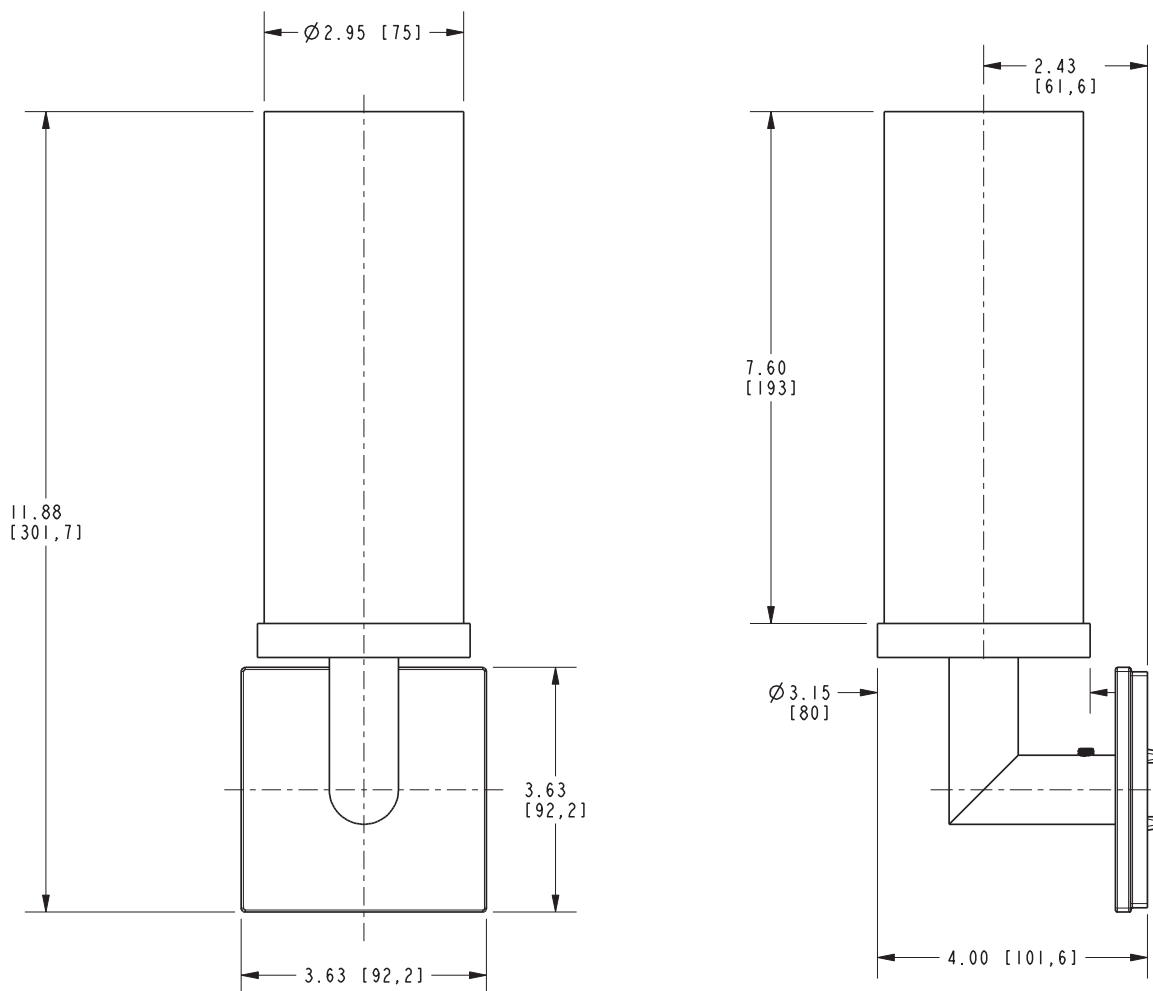
Model	Description	Colors Finishes
3681-G-O	Replacement Glass Shade, Satin-Etched Cased Opal Glass	<input type="checkbox"/> Satin-Etched Cased Opal Glass
DWRR	Raised Cover Plate (required accessory)	<input type="checkbox"/> PC <input type="checkbox"/> PN <input type="checkbox"/> SN

Product Specification: Add "Color / Finish" Suffix to Model Number Below

The Single Light shall incorporate solid metal construction and a satin-etched cased opal glass shade. Single Light shall complement Ginger Dyad product series. Single Light shall be Ginger Model 5381/_____.

* Installation Note (Electrician/Wall-finisher): This light uses a non-standard size backplate. This light is designed to be installed onto a raised cover plate (also known as a round plaster ring or round raised mud ring) attached to an electrical box installed pre-drywall stage. Use two no. 8 tapped holes on 2-3/4" centers. Maximum diameter of finished opening is 3-3/8".

5381



Dyad Single Light 5381

GINGER