

Mirror 4741



Features

- Framed, beveled glass design
- Solid brass frame
- Concealed tilting mechanism for customized viewing angle, optional
- Complements Cinu product series
- ADA Compliant

Codes / Standards Compliance

Meets or exceeds the following at date of manufacture:

- ADA & ICC/ANSI A117.1
- All applicable US Federal and State material regulations

Colors / Finishes

- PC: Polished Chrome
- PN: Polished Nickel
- SN: Satin Nickel



Specified Model

Model	Description	Colors Finishes
4741	20" x 34" Framed Mirror	<input type="checkbox"/> PC <input type="checkbox"/> PN <input type="checkbox"/> SN

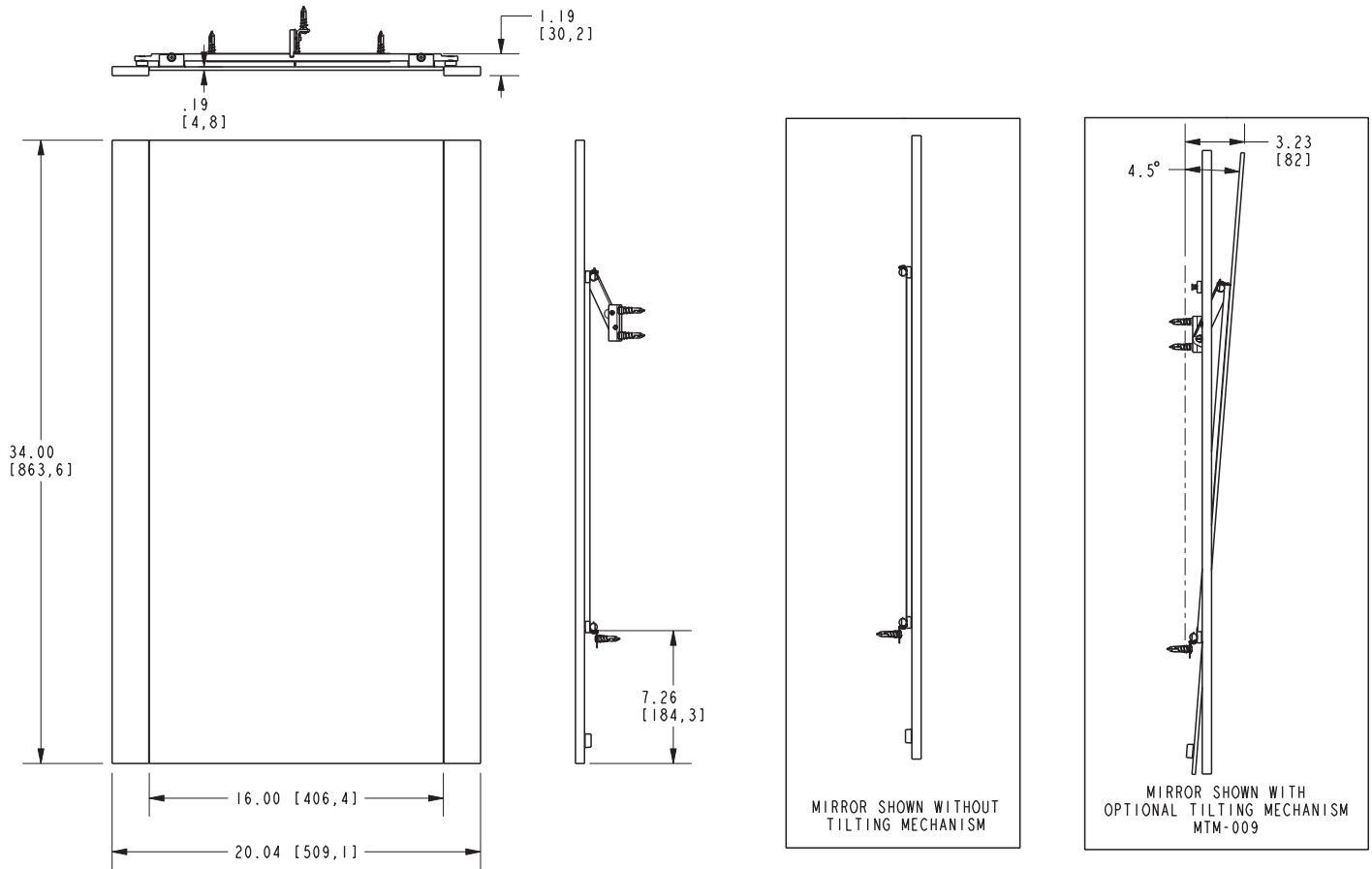
Optional Accessory

Model	Description	Colors Finishes
MTM-009	Tilting Mechanism, Optional	<input type="checkbox"/> PC <input type="checkbox"/> PN <input type="checkbox"/> SN

Product Specification: Add "Color / Finish" Suffix to Model Number Below

The Mirror shall incorporate a framed, beveled glass design with a solid brass frame. [Optional concealed tilting mechanism allowing for customized viewing angles.] Mirror shall incorporate an approximate width of 20" and an approximate height of 34". Mirror shall complement Ginger Cinu product series. Mirror shall be Ginger Model 4741/_____ [and Tilting Mechanism (optional) shall be Ginger Model MTM-009].

4741



Cinu Mirror 4741