

Double Robe Hook

4610D

Features

- Solid brass construction
- Complements Kubic product series

Codes / Standards Compliance

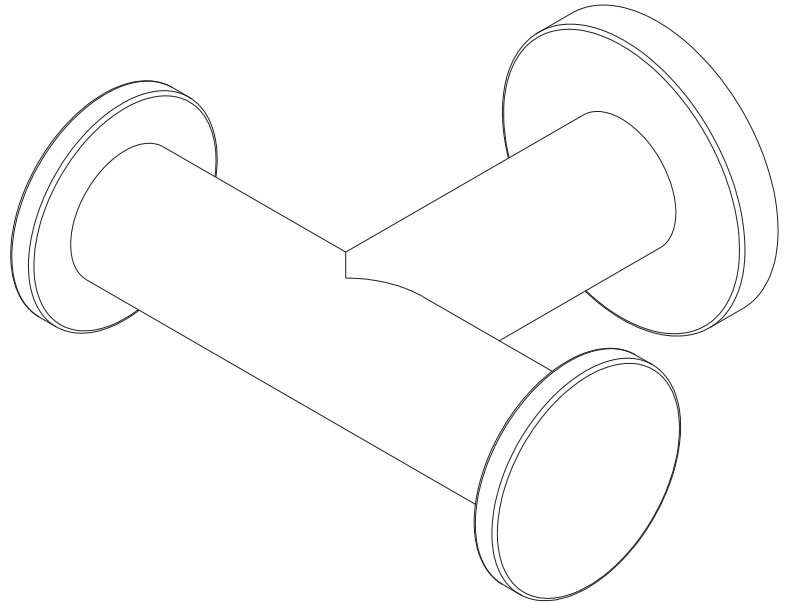
Meets or exceeds the following at date of manufacture:

- All applicable US Federal and State material regulations

Colors / Finishes

- PC: Polished Chrome
- PN: Polished Nickel
- SN: Satin Nickel

Other: N/A



Specified Model

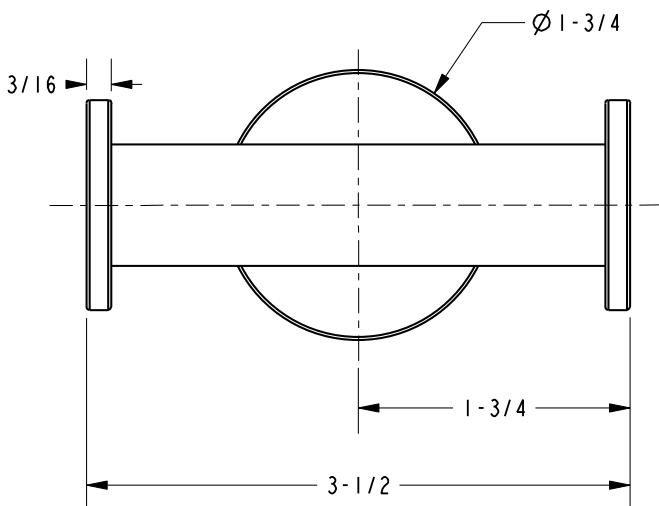
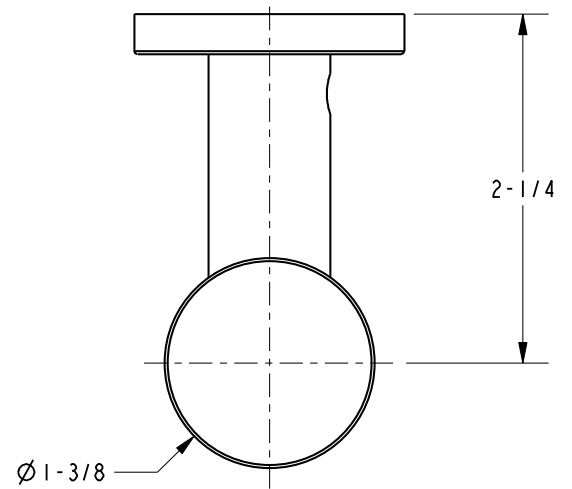
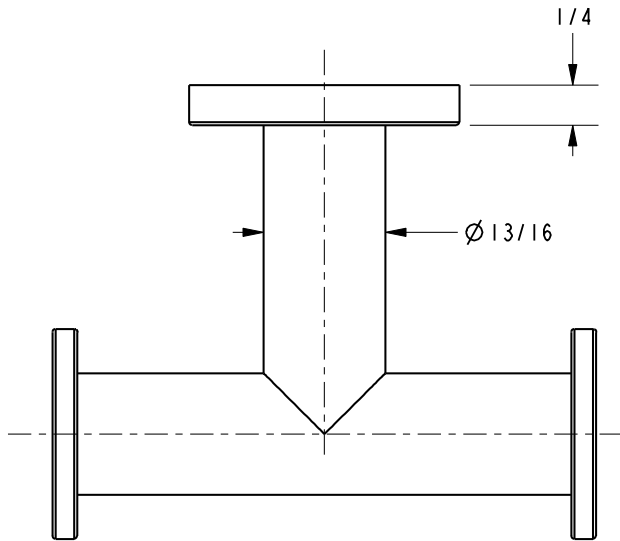
Model	Description	Colors Finishes
4610D	Double Robe Hook	<input type="checkbox"/> PC <input type="checkbox"/> PN <input type="checkbox"/> SN

Product Specification: Add "Color / Finish" Suffix to Model Number Below.

The Double Robe Hook shall be made of solid brass construction. Double Robe Hook shall complement Ginger Kubic product series. Double Robe Hook shall be Ginger Model 36.30.02/_____.

4610D

Product Dimensions (units are in inches)



Kubic Double Robe Hook
4610D

page 2 of 2 spec_4610D

GINGER

t: 949.417.5207 | www.gingerco.com
©2011 Brasstech, Inc.