



FRAME

Triple Pivoting Robe Hook 3011T

Features

- Solid brass construction
- Complements Frame product series

Codes / Standards Compliance

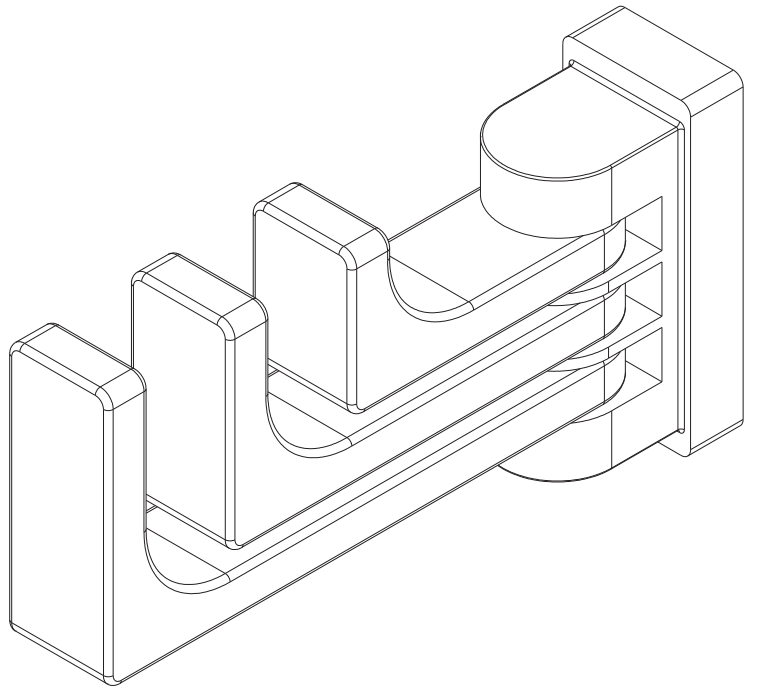
Meets or exceeds the following at date of manufacture:

- All applicable US Federal and State material regulations

Colors / Finishes

- PC: Satin Nickel
- SN: Satin Nickel

Other: N/A



Specified Model

Model	Description	Colors Finishes
3011T	Triple Pivoting Robe Hook	<input type="checkbox"/> PC <input type="checkbox"/> SN

Product Specification: Add "Color / Finish" Suffix to Model Number Below.

The Triple Pivoting Robe Hook shall be made of solid brass construction. Triple Pivoting Robe Hook shall complement motiv Frame product series. Triple Pivoting Robe Hook shall be motiv Model 3011T/____ .

3011T

Product Dimensions (units are in inches)

