



# FRAME

Towel Bar

# 3001

Also 3002, 3003

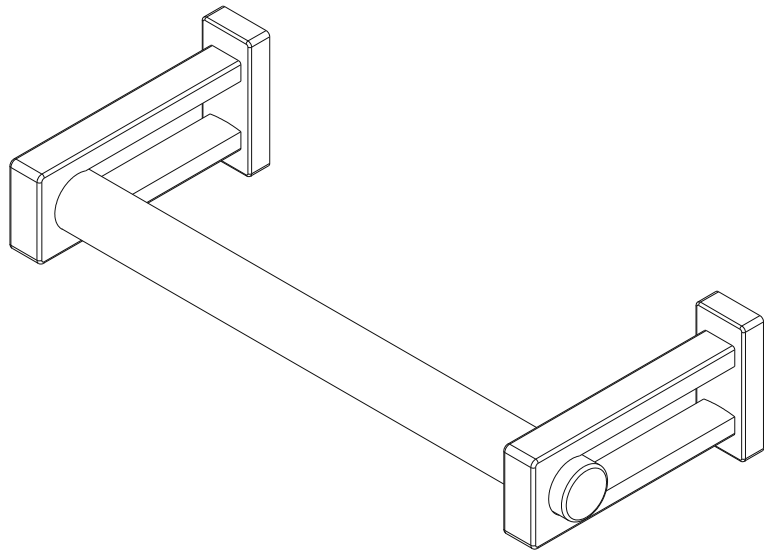
## Features

- Solid brass construction
- Complements London Terrace product series

## Codes / Standards Compliance

Meets or exceeds the following at date of manufacture:

- All applicable US Federal and State material regulations



## Colors / Finishes

- SN: Satin Nickel
- PC: Polished Chrome

- Other: NA

## Specified Model

Model	Description	Colors   Finishes
3001	8" Towel Bar	<input type="checkbox"/> SN <input type="checkbox"/> PC
3002	18" Towel Bar	<input type="checkbox"/> SN <input type="checkbox"/> PC
3003	24" Towel Bar	<input type="checkbox"/> SN <input type="checkbox"/> PC

## Product Specification: Add "Length Indicator and Color / Finish" suffix to Model number, below.

The Double Towel Bar shall be made of solid brass construction. Double Towel Bar shall complement motiv Frame product series. Double Towel Bar shall be motiv Model 300\_/\_\_\_\_ .

# 3001

## Product Dimensions *(units are in inches)*

