

Features

- Solid brass frame
- Basket extends approximately 5-1/2" from the wall
- Basket has a running length of approximately 12-5/16"

Codes / Standards Compliance

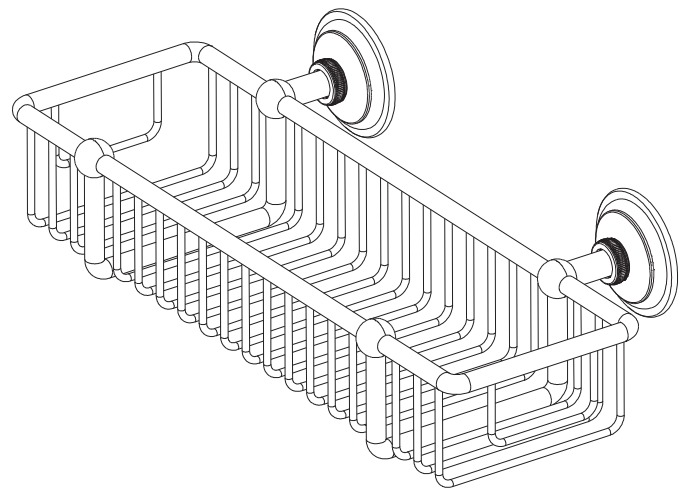
Meets or exceeds the following at date of manufacture:

- All applicable US Federal and State material regulations

Colors / Finishes

- ORB: Oil Rubbed Bronze
- PC: Polished Chrome
- PN: Polished Nickel
- SN: Satin Nickel

Other: NA



Specified Model

Model	Description	Colors Finishes
26552	12" Basket	<input type="checkbox"/> ORB <input type="checkbox"/> PC <input type="checkbox"/> PN <input type="checkbox"/> SN

Product Specification: Add glass type designator and "Color / Finish" suffix to Model number, below.

The Basket shall be of solid brass construction. Basket Shelf shall incorporate a projected depth of approximately 5-1/2" from the wall a running length of approximately 12-5/16". Basket shall be GINGER model 26552/_____.

26552

Product Dimensions *(units are in inches)*

