



# LONDON TERRACE

## Toilet Tissue Holder 2609

### Features

- Solid brass construction
- Single-post design with non-separating spring-loaded roller
- Complements London Terrace product series

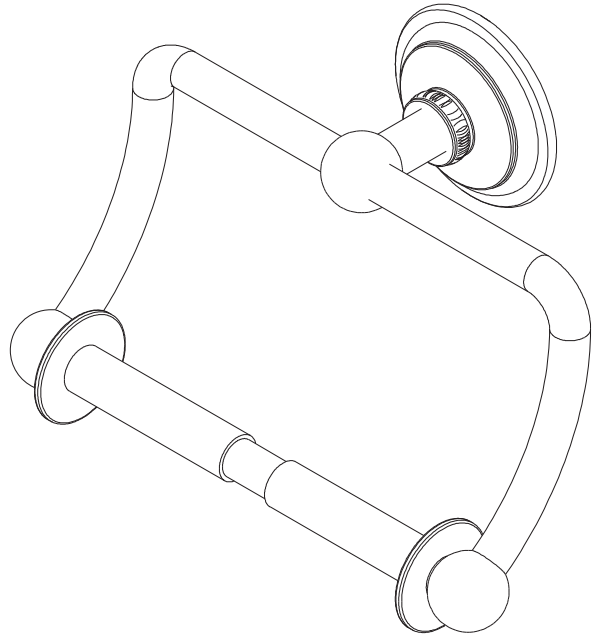
### Codes / Standards Compliance

Meets or exceeds the following at date of manufacture:

- All applicable US Federal and State material regulations

### Colors / Finishes

- PN: Polished Nickel
- SN: Satin Nickel
- PC: Polished Chrome
- ORB: Oil Rubbed Bronze



### Specified Model

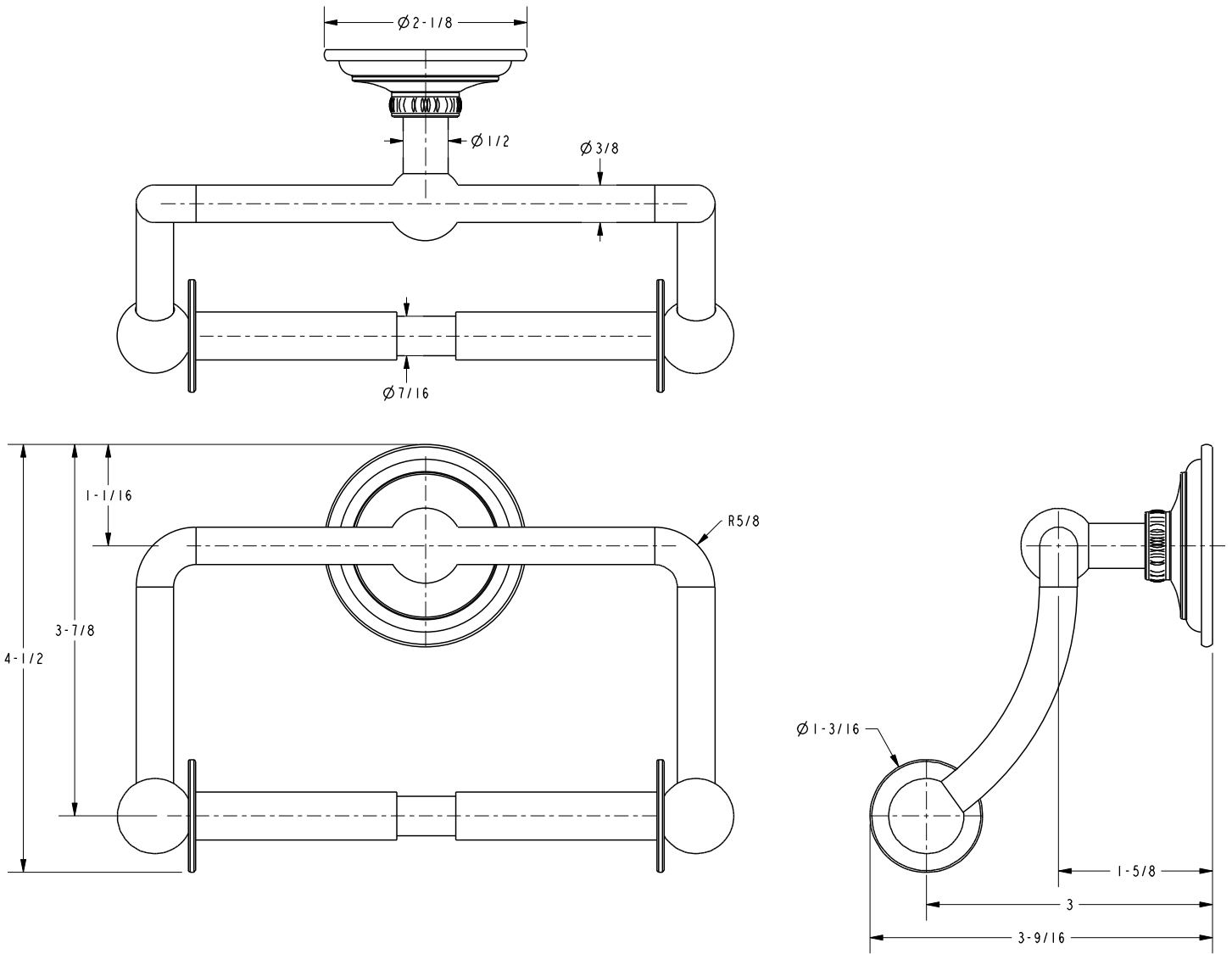
Model	Description	Colors   Finishes
2609	Toilet Tissue Holder	<input type="checkbox"/> PN <input type="checkbox"/> SN <input type="checkbox"/> PC <input type="checkbox"/> ORB

### Product Specification: Add "Color / Finish" Suffix to Model Number Below.

The Toilet Tissue Holder shall be made of solid brass construction and incorporate a single-post, spring-loaded roller design. Toilet Tissue Holder shall complement motiv London Terrace product series. Toilet Tissue Holder shall be motiv Model 2609/\_\_\_\_\_.

# 2609

## Product Dimensions (units are in inches)



### London Terrace Toilet Tissue Holder 2609

