

# REM<sup>®</sup>

## WALL MOUNTED LAVATORY FAUCET



- European minimalist design
- Cast brass spout and side valves
- Ceramic disc valve cartridges
- Lead Free - faucet contains  $\leq 0.25\%$  total lead content by weighted volume
- Rough valve sold separately
- Maximum flow rate: 1.5 gpm (5.7 L/min)
- Low flow rate: 1.2 gpm (4.5 L/min)

### CODES AND STANDARDS

Meets or Exceeds ASME A112.18.1/ CSA B125.1, NSF 61/Section 9

EPA WaterSense<sup>®</sup> Certified

Certified Compliant with  $\leq 0.25\%$  Weighted Average Lead Content Regulations

CEC and CALGreen<sup>®</sup> Compliant

### AVAILABLE FINISHES

Polished Chrome  
Brushed Nickel

### FINISH CODE

100  
144

### DESCRIPTION

1.5 gpm (5.7 L/min)  
Wall Mounted Lavatory  
Faucet Trim Kit  
1.2 gpm (4.5 L/min)   
Wall Mounted Lavatory  
Faucet Trim Kit  
Dual Control Wall Mounted  
Faucet Rough Valve (optional component)

### PRODUCT NUMBER

★ D35100450.XXX  
D3510045C.XXX  
D35000450.191

ROUGH-IN DIAGRAM  
SHOWN ON NEXT PAGE

★DISCONTINUED. Available while supplies last.

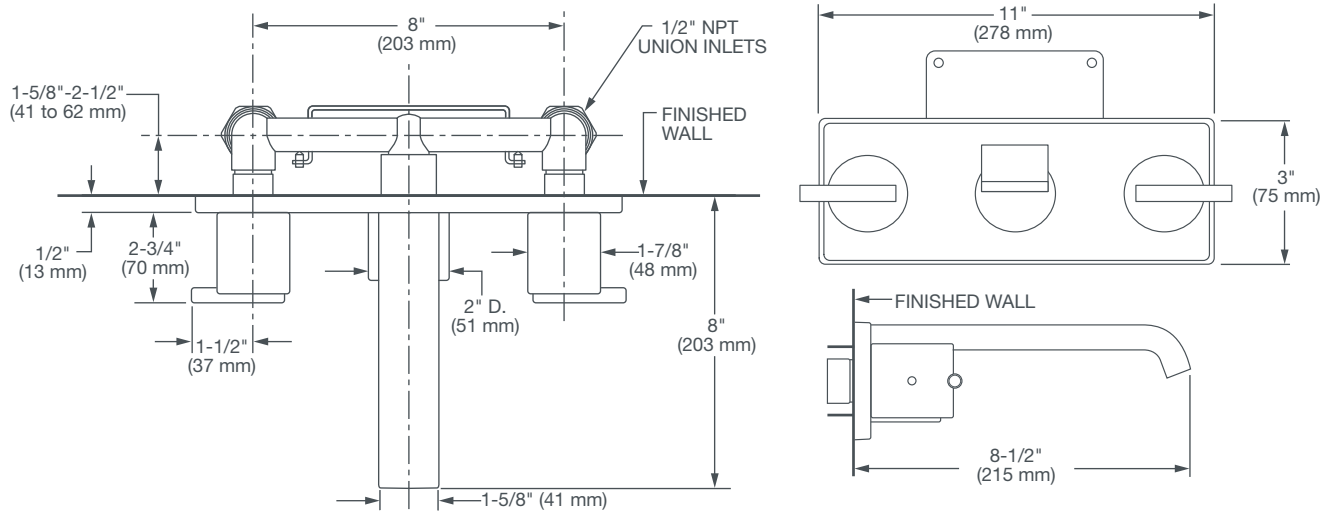
CALGreen<sup>®</sup> is a registered trademark of California Building Standards Commission.

Meets the Americans with Disabilities Act Guidelines and ANSI A117.1 Requirements for the physically challenged.



# REM<sup>®</sup>

## WALL MOUNTED LAVATORY FAUCET



**IMPORTANT:** These measurements are subject to change or cancellation. No responsibility is assumed for use of superseded or voided pages.

PART OF **LIXIL**